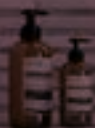


# Bathroom COLORE

*Bathrooms designed with personality*



# Bathroom COLORE

Through a choice of 64 finishes, Bathroom Colore gives you the ultimate design potential and flexibility. With our extensive range of décors, colours, basins, cabinets and accessories you can create the bathroom that mirrors your personality and reflects your tastes. The excitement of on-trend colour, the peace of natural woodgrains or the contemporary refinement of gloss, let us inspire you and start your journey of choice with Bathroom Colore.

## Bathrooms designed with

Over the next few pages we will present some ideas of how the colours, textures and designs of our bathroom furniture range can combine to create a truly individual bathroom space.

Easy to  
order in  
simple  
steps

4

*personality*



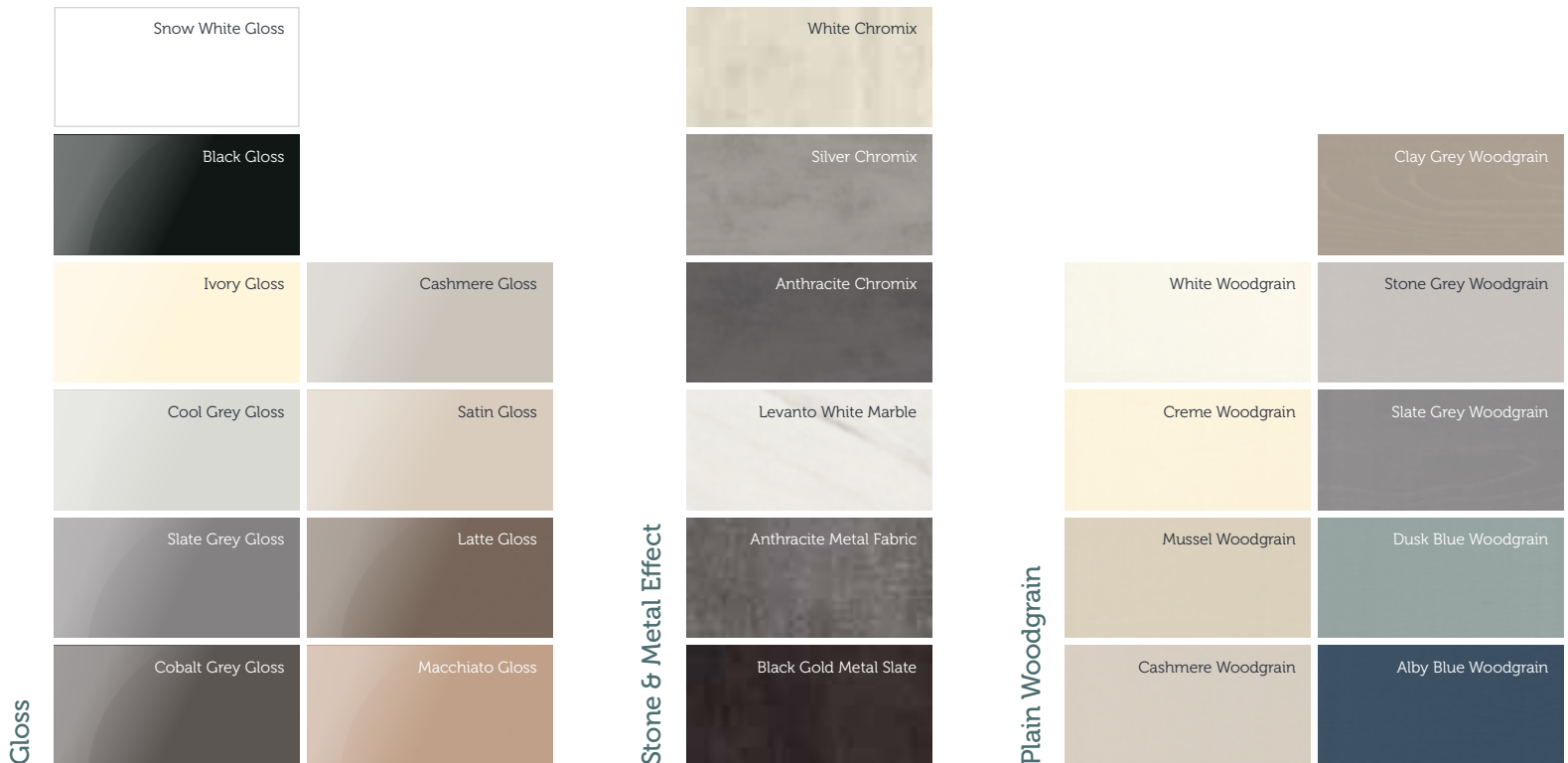
# Easy to order in 4 simple steps

**1** Choose your desired finish from our 64 décors  
*(Shown below)*

**2** Choose your wash basin from our range of ceramic and mineral cast designs  
*(Pages 14-23)*

**3** Choose your cabinet size  
*(Pages 14-25)*

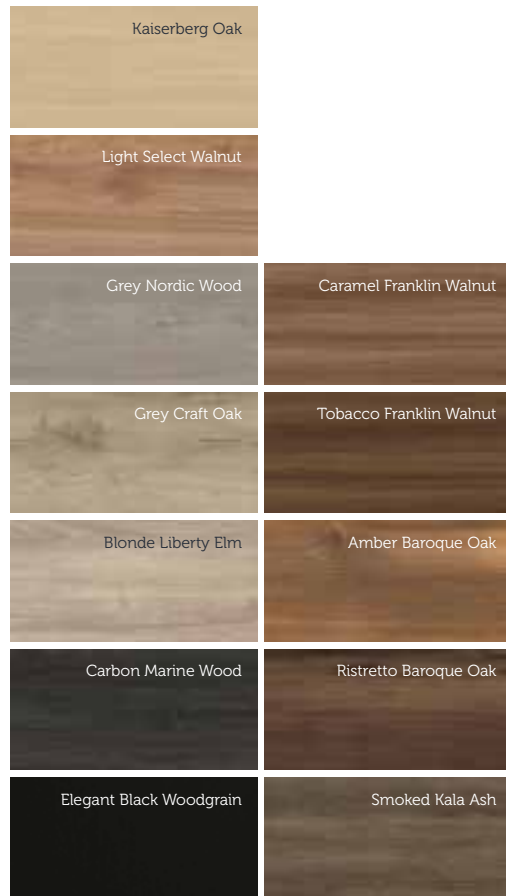
**4** Choose your accessories, mirror and handles  
*(Pages 26-43)*



## Sample Swatch Service

Choosing the perfect finish for your bathroom furniture is never an easy choice, and so we encourage our customers to take advantage of our sample swatch service to order up to five FREE colour swatches to be delivered to your address.

Woodgrain



Matt Plain



Shown here:  
in White Chromix  
with Manhattan Basin

Handles: No. 685 & 686  
Tap: Black Matt Round  
Basin Mixer  
Mirror: Moon Rectangle



Shown here:  
in Snow White Gloss  
with Simplicity Plus Basin

Handle: No. 722  
Tap: Black Matt Round  
Basin Mixer  
Mirror: Moon Round  
Pan: Back to Wall  
Bordo Pan  
Accessories: Black Matt  
Flush Plate



Shown here:  
in Graphite Grey  
with Simplicity Plus Basin

Handle: No. 621  
Tap: Chrome Avra  
Basin Mixer  
Mirror: Ellipse  
Pan: Back to Wall  
Arco Pan Square  
WC Cabinet: Mineral Cast Top  
Accessories: Square Flush  
Button







Shown here:  
in Reed Green  
with Tribeca Basin

Handles: No. 706 & 707  
Tap: Brass Brushed Avra  
Basin Mixer  
Mirror: Piazza  
Pan: Wall Hung  
Arco Pan Square  
Accessories: Chrome Flush Plate

Shown here:  
in Alby Blue  
Woodgrain  
with Simplicity Plus Basin

Handle: No. 709  
Tap: Chrome  
Contemporary Round  
Basin Mixer

Mirrored Wall  
Cabinets: 810 High  
Accessories: Chrome Towel Rail





Shown here:  
in Light Select Walnut  
with Arco Wing 12/2L Basin

Handle: No. 727  
Tap: Chrome Square  
Curved Basin Mixer  
Mirror Cabinet: Orco 3 (1200 wide)  
Pan: Back to Wall  
Arco Pan Round  
Accessories: Large Round Chrome  
Flush Button

Shown here:  
in Macchiato Gloss  
with Bordo Cloakroom Basin

Handle: No. 709  
Tap: Chrome Avra  
Mini Basin Mixer  
Mirror: Apollo  
Pan: Bordo Close Coupled  
Accessories: Feature Glass Shelves



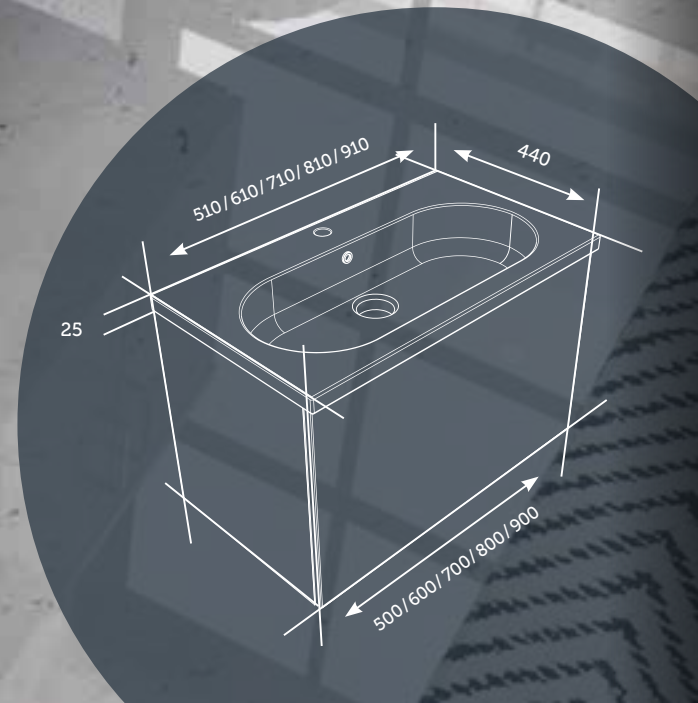
# Bathroom COLORE

<b>Basins &amp; Cabinets</b>	
Simplicity Plus	14
Manhattan	16
Tribeca	18
Arco Wing Combination	20
Cloakroom - Manhattan Mini, Eva & Bordo	22
<b>Additional Cabinets</b>	24
<b>Wall, WC Cabinets, Bath Panels &amp; Matching Material</b>	25
<b>Mirror Cabinets</b>	26
<b>Mirrors</b>	28
<b>Handles</b>	32
<b>Lighting</b>	34
<b>Drawer Options</b>	35
<b>Pans &amp; Cisterns</b>	36
<b>Basin Options</b>	38
<b>Brassware</b>	40
<b>Accessories</b>	43
<b>Colour Guide</b>	45
<b>Lighting Safety Zones</b>	62
<b>Term &amp; Conditions and Delivery Info</b>	63



# Simplicity Plus

A mineral cast basin combining contemporary slim lines and generous bowl size



# Simplicity Plus - Mineral Cast

## Two Door Wall Hung Cabinet



500mm Cabinet  
Dimensions including Basin  
512h x 510w x 440d  
**SW 510 - £549**



600mm Cabinet  
Dimensions including Basin  
512h x 610w x 440d  
**SW 610 - £579**



700mm Cabinet  
Dimensions including Basin  
512h x 710w x 440d  
**SW 710 - £619**



800mm Cabinet  
Dimensions including Basin  
512h x 810w x 440d  
**SW 810 - £699**



900mm Cabinet  
Dimensions including Basin  
512h x 910w x 440d  
**SW 910 - £749**

## One Deep Drawer Wall Hung Cabinet \*



500mm Cabinet  
Dimensions including Basin  
512h x 510w x 440d  
**S1D 510 - £649**



600mm Cabinet  
Dimensions including Basin  
512h x 610w x 440d  
**S1D 610 - £699**



700mm Cabinet  
Dimensions including Basin  
512h x 710w x 440d  
**S1D 710 - £719**



800mm Cabinet  
Dimensions including Basin  
512h x 810w x 440d  
**S1D 810 - £769**



900mm Cabinet  
Dimensions including Basin  
512h x 910w x 440d  
**S1D 910 - £789**

## Two Drawer Wall Hung Cabinet \*\*



500mm Cabinet  
Dimensions including Basin  
512h x 510w x 440d  
**S2D 510 - £729**



600mm Cabinet  
Dimensions including Basin  
512h x 610w x 440d  
**S2D 610 - £769**



700mm Cabinet  
Dimensions including Basin  
512h x 710w x 440d  
**S2D 710 - £809**



800mm Cabinet  
Dimensions including Basin  
512h x 810w x 440d  
**S2D 810 - £829**



900mm Cabinet  
Dimensions including Basin  
512h x 910w x 440d  
**S2D 910 - £849**

## Two Door Floorstanding Cabinet



500mm Cabinet  
Dimensions including Basin  
835h x 510w x 440d  
**SF 510 - £579**



600mm Cabinet  
Dimensions including Basin  
835h x 610w x 440d  
**SF 610 - £599**



700mm Cabinet  
Dimensions including Basin  
835h x 710w x 440d  
**SF 710 - £649**



800mm Cabinet  
Dimensions including Basin  
835h x 810w x 440d  
**SF 810 - £719**



900mm Cabinet  
Dimensions including Basin  
835h x 910w x 440d  
**SF 910 - £749**

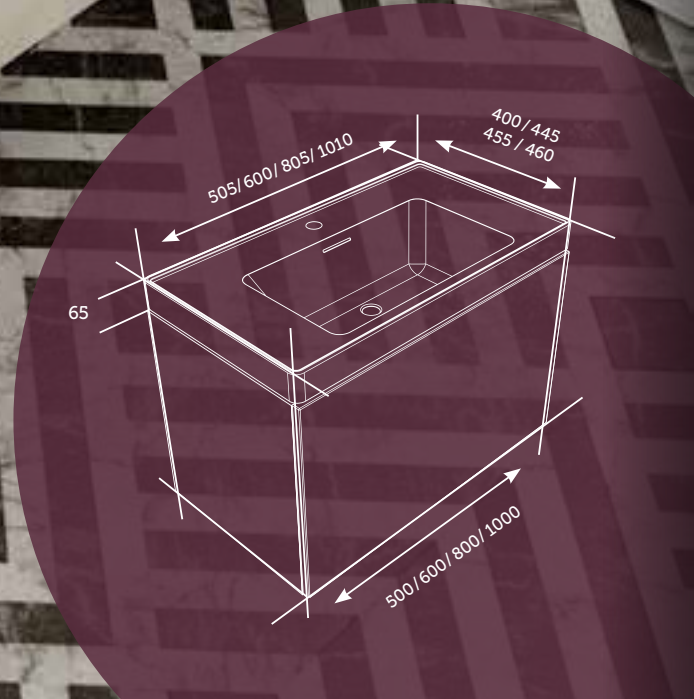
All cabinets are matched to the door fronts using the same material and finish  
Unit height includes basin All prices include VAT

\* One Deep Drawer Cabinet supplied with 'U' guard as standard  
\*\* Two Drawer Cabinet supplied with 'U' guard in top drawer only as standard



# Manhattan

A ceramic basin standing 65mm high above the cabinet and with a feature thin rim edge





# Manhattan - Ceramic

## Two Door Wall Hung Cabinet



500mm Cabinet  
Dimensions including Basin  
562h x 505w x 400d  
**MW 505 - £549**



600mm Cabinet  
Dimensions including Basin  
562h x 600w x 445d  
**MW 600 - £579**



800mm Cabinet  
Dimensions including Basin  
562h x 805w x 455d  
**MW 805 - £699**



1000mm Cabinet  
Dimensions including Basin  
562h x 1010w x 460d  
**MW 1010 - £849**



A feature of this basin is that it sits 10mm above the cabinet creating an optical floating effect.

## One Deep Drawer Wall Hung Cabinet \*



500mm Cabinet  
Dimensions including Basin  
562h x 505w x 400d  
**M1D 505 - £649**



600mm Cabinet  
Dimensions including Basin  
562h x 600w x 445d  
**M1D 600 - £699**



800mm Cabinet  
Dimensions including Basin  
562h x 805w x 455d  
**M1D 805 - £769**



1000mm Cabinet  
Dimensions including Basin  
562h x 1010w x 460d  
**M1D 1010 - £869**

## Two Drawer Wall Hung Cabinet \*\*



500mm Cabinet  
Dimensions including Basin  
562h x 505w x 400d  
**M2D 505 - £729**



600mm Cabinet  
Dimensions including Basin  
562h x 600w x 445d  
**M2D 600 - £769**



800mm Cabinet  
Dimensions including Basin  
562h x 805w x 455d  
**M2D 805 - £829**



1000mm Cabinet  
Dimensions including Basin  
562h x 1010w x 460d  
**M2D 1010 - £899**

## Two Door Floorstanding Cabinet



500mm Cabinet  
Dimensions including Basin  
885h x 505w x 400d  
**MF 505 - £579**



600mm Cabinet  
Dimensions including Basin  
885h x 600w x 445d  
**MF 600 - £599**



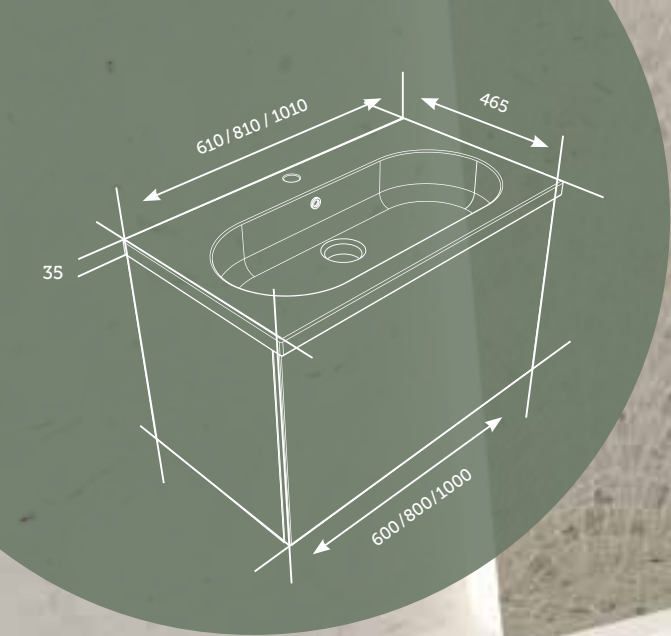
800mm Cabinet  
Dimensions including Basin  
885h x 805w x 455d  
**MF 805 - £719**



1000mm Cabinet  
Dimensions including Basin  
885h x 1010w x 460d  
**MF 1010 - £849**

All cabinets are matched to the door fronts using the same material and finish  
Unit height includes basin All prices include VAT

\* One Deep Drawer Cabinet supplied with 'U' guard as standard  
\*\* Two Drawer Cabinet supplied with 'U' guard in top drawer only as standard



# Tribeca

A stylish rounded ceramic basin standing 35mm high above the cabinet

# Tribeca - Ceramic

## Two Door Wall Hung Cabinet



600mm Cabinet  
Dimensions including Basin  
522h x 610w x 465d  
**TW 610 - £579**



800mm Cabinet  
Dimensions including Basin  
522h x 810w x 465d  
**TW 810 - £699**



1000mm Cabinet  
Dimensions including Basin  
522h x 1010w x 465d  
**TW 1010 - £849**

## One Deep Drawer Wall Hung Cabinet \*



600mm Cabinet  
Dimensions including Basin  
522h x 610w x 465d  
**T1D 610 - £699**



800mm Cabinet  
Dimensions including Basin  
522h x 810w x 465d  
**T1D 810 - £769**



1000mm Cabinet  
Dimensions including Basin  
522h x 1010w x 465d  
**T1D 1010 - £869**

## Two Drawer Wall Hung Cabinet \*\*



600mm Cabinet  
Dimensions including Basin  
522h x 610w x 465d  
**T2D 610 - £769**



800mm Cabinet  
Dimensions including Basin  
522h x 810w x 465d  
**T2D 810 - £829**



1000mm Cabinet  
Dimensions including Basin  
522h x 1010w x 465d  
**T2D 1010 - £899**

## Two Door Floorstanding Cabinet



600mm Cabinet  
Dimensions including Basin  
845h x 610w x 465d  
**TF 610 - £599**



800mm Cabinet  
Dimensions including Basin  
845h x 810w x 465d  
**TF 810 - £719**



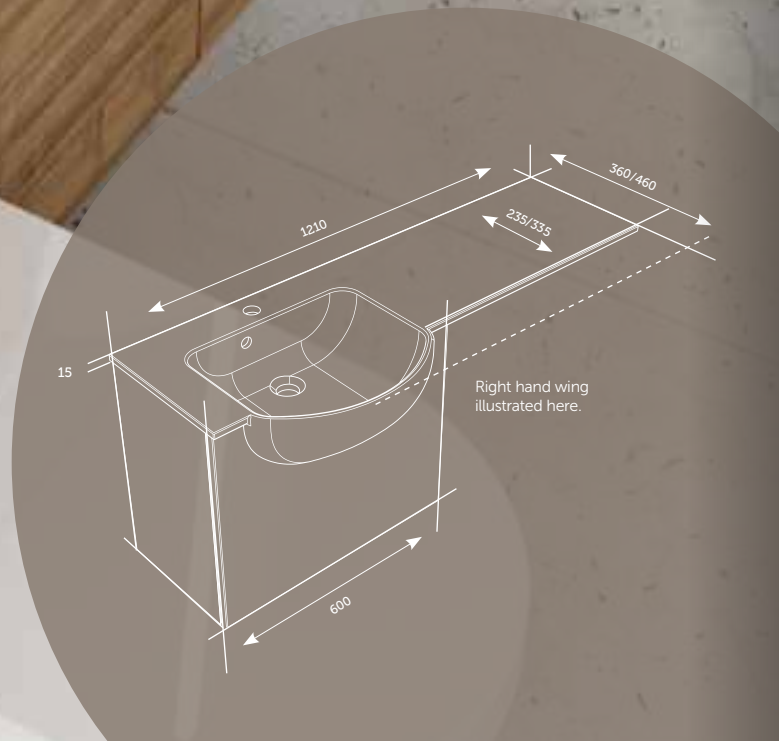
1000mm Cabinet  
Dimensions including Basin  
845h x 1010w x 465d  
**TF 1010 - £849**



# Arco Wing Combination

A sleek, uninterrupted one piece mineral cast winged basin across two cabinets for an elegant space saving furniture design. Available with the wing on the left or on the right hand side

Main image illustrates left hand wing.



## Combi Round Arco Wing 1210/360 (235) - Mineral Cast

### 220 Deep Cabinets

Two door wall hung 600 wide cabinet  
WC floorstanding 600 wide cabinet



1200mm Cabinet Combination  
Dimensions including Basin  
825h x 1210w x 360d  
**AWR 1210/2L - £1249**  
**AWR 1210/2R - £1249**

### 220 Deep Cabinets

Two door floorstanding 600 wide cabinet  
WC floorstanding 600 wide cabinet



1200mm Cabinet Combination  
Dimensions including Basin  
825h x 1210w x 360d  
**AFR 1210/2L - £1299**  
**AFR 1210/2R - £1299**

## Combi Round Arco Wing 1210/460 (335) - Mineral Cast

### 320 Deep Cabinets

Two door wall hung 600 wide cabinet  
WC floorstanding 600 wide cabinet



1200mm Cabinet Combination  
Dimensions including Basin  
825h x 1210w x 460d  
**AWR 1210/3L - £1279**  
**AWR 1210/3R - £1279**

### 320 Deep Cabinets

Two door floorstanding 600 wide cabinet  
WC floorstanding 600 wide cabinet



1200mm Cabinet Combination  
Dimensions including Basin  
825h x 1210w x 460d  
**AFR 1210/3L - £1299**  
**AFR 1210/3R - £1299**

### 320 Deep Cabinets\*\*

Two drawer wall hung 600 wide cabinet  
WC floorstanding 600 wide cabinet



1200mm Cabinet Combination  
Dimensions including Basin  
825h x 1210w x 460d  
**A2DR 1210/3L - £1449**  
**A2DR 1210/3R - £1449**

### 320 Deep Cabinets\*

One deep drawer wall hung 600 wide cabinet  
WC floorstanding 600 wide cabinet



1200mm Cabinet Combination  
Dimensions including Basin  
825h x 1210w x 460d  
**A1DR 1210/3L - £1429**  
**A1DR 1210/3R - £1429**

Please note the 'L' and 'R' in the product code refers to the worktop wing side not the basin side  
All cabinets are matched to the door fronts using the same material and finish  
Unit height includes basin All prices include VAT

Toilet pan, seat, cistern/flush button are not included in price and must be ordered separately

\* One Deep Drawer Cabinet supplied with 'U' guard as standard

\*\* Two Drawer Cabinet supplied with 'U' guard in top drawer only as standard



Manhattan Mini



Eva

Bordo



# Cloakroom

Three options of cloakroom sized washbasins including a choice of rounded, high or framed rim basins in a choice of mineral cast or ceramic finishes.

## Eva

**Mineral Cast**

### 220 Deep Cabinets

One door wall hung cabinet



390mm Cabinet  
Dimensions including Basin  
592h x 400w x 220d  
**EW 400L - £289**  
**EW 400R - £289**

### 220 Deep Cabinets

One door tall wall hung cabinet



390mm Cabinet  
Dimensions including Basin  
715h x 400w x 220d  
**EWR 400L - £299**  
**EWR 400R - £299**

### 220 Deep Cabinets

One door floorstanding cabinet



390mm Cabinet  
Dimensions including Basin  
915h x 400w x 220d  
**EF 400L - £329**  
**EF 400R - £329**

## Manhattan Mini

**Ceramic**

### 215 Deep Cabinets

One door wall hung cabinet



390mm Cabinet  
Dimensions including Basin  
592h x 400w x 220d  
**MW 400L - £319**  
**MW 400R - £319**

### 215 Deep Cabinets

One door tall wall hung cabinet



390mm Cabinet  
Dimensions including Basin  
715h x 400w x 220d  
**MWR 400L - £339**  
**MWR 400R - £339**

### 215 Deep Cabinets

One door floorstanding cabinet



390mm Cabinet  
Dimensions including Basin  
915h x 400w x 220d  
**MF 400L - £359**  
**MF 400R - £359**

## Bordo

**Ceramic**

### 285 Deep Cabinets

One door wall hung cabinet



440mm Cabinet  
Dimensions including Basin  
517h x 450w x 285d  
**BW 450L - £379**  
**BW 450R - £379**

### 285 Deep Cabinets

One door tall wall hung cabinet



440mm Cabinet  
Dimensions including Basin  
640h x 450w x 285d  
**BWR 450L - £399**  
**BWR 450R - £399**

### 285 Deep Cabinets

One door floorstanding cabinet



440mm Cabinet  
Dimensions including Basin  
840h x 450w x 285d  
**BF 450L - £439**  
**BF 450R - £439**

# Additional Cabinets

## Mirrored Wall Cabinets

### 610 High

Two frameless double sided mirror doors with raised bottom shelf for handleless opening  
One MFC shelf (135 Deep Cabinets)  
One glass shelf (210 Deep Cabinets)  
Comes with a Light Grey back



135mm Deep Cabinet  
Dimensions  
610h x Varies w x 135d

500 wide  
**MW61 50/1FL - £554**  
600 wide  
**MW61 60/1FL - £560**  
700 wide  
**MW61 70/1FL - £580**  
800 wide  
**MW61 80/1FL - £600**

210mm Deep Cabinet  
Dimensions  
610h x Varies w x 210d

500 wide  
**MW61 50/2FL - £554**  
600 wide  
**MW61 60/2FL - £560**  
700 wide  
**MW61 70/2FL - £580**  
800 wide  
**MW61 80/2FL - £600**

## Mirrored Wall Cabinets

### 810 High

Two frameless double sided mirror doors with raised bottom shelf for handleless opening  
One MFC shelf (135 Deep Cabinets)  
One glass shelf (210 Deep Cabinets)  
Comes with matching back



135mm Deep Cabinet  
Dimensions  
810h x Varies w x 135d

500w  
**MW81 50/1FL - £579**  
600w  
**MW81 60/1FL - £585**  
700w  
**MW81 70/1FL - £605**  
800w  
**MW81 80/1FL - £625**

210mm Deep Cabinet  
Dimensions  
810h x Varies w x 210d

500w  
**MW81 50/2FL - £579**  
600w  
**MW81 60/2FL - £585**  
700w  
**MW81 70/2FL - £605**  
800w  
**MW81 80/2FL - £625**

## Fitted Cabinet Lighting

Flat chrome bezel 30mm natural white 1.5W cabinet lights IP44.  
Supplied pre-machined and supplied loose for installation on site with 2m leads. (Driver not included). Simply add code to end of cabinet part number and cost will be automatically added.  
Cannot be retro-fitted.



One light per shelf 500-600 wide



Two lights per shelf 700-800 wide



To suit Cabinet	Location	Order Code	500/600	700/800
<b>610 High</b>	Below bottom shelf	T1	£68	£136
<b>810 High</b>	Above aperture & below bottom shelf	T2	£136	£272
<b>Driver</b>	Cabinet Driver 240v IP44 12v 15w	T123DRIVER	£40	

The driver will power up to six inset lights, please ensure when planning that the driver can be located within 2m of all the lights, or order additional drivers for different areas of the bathroom. Supplied with 2m mains lead and a 6 way connector, Caution: DO NOT USE with domestic dimmer switches.





# Wall, WC Cabinets, Bath Panels & Matching Material

## Mid Height Wall Cabinets



### Mirrored Door

300mm wide Cabinet  
One full height double sided mirror door inc No. 619 handle  
Three glass shelves

300mm wide Cabinet  
**MIDI 30/2FLR - £539**  
1150h x 300w x 210d  
**MIDI 30/2FLL - £539**  
1150h x 300w x 210d



### Cabinet Finish Door

300 & 400mm wide Cabinets  
One full height door  
Three glass shelves

300mm wide Cabinet  
**TW 30/2R - £369**  
1500h x 300w x 220d  
**TW 30/2L - £369**  
1500h x 300w x 220d

400mm wide Cabinet  
**TW 40/2R - £389**  
1500h x 400w x 220d  
**TW 40/2L - £389**  
1500h x 400w x 220d

## WC Cabinets

Two removable fronts  
One removable matching top. Please specify 'Matching Top' or 'Mineral Cast'  
Toilet pan, seat, cistern/flush button are not included in the price and must be ordered separately.



500mm Cabinet  
828h x 500w x 220d  
Cabinet Matching Top  
**WC 50/2 - £339**  
Mineral Cast Top  
**WC 50/2WT - £449**



500mm Cabinet  
1033h x 500w x 220d  
Cabinet Matching Top  
**WC 50/2M - £377**  
Mineral Cast Top  
**WC 50/2MWT - £549**

600mm Cabinet  
828h x 600w x 220d  
Cabinet Matching Top  
**WC 60/2 - £339**  
Mineral Cast Top  
**WC 60/2WT - £449**

600mm Cabinet  
1033h x 600w x 220d  
Cabinet Matching Top  
**WC 60/2M - £377**  
Mineral Cast Top  
**WC 60/2MWT - £549**

Mineral cast tops match Simplicity Plus & Arco basins.

## Bath Panels



### Bath Front Panel

500mm x 1700mm  
**BP17/5F - £139**  
500mm x 1800mm  
**BP18/5F - £149**



### Bath End Panel

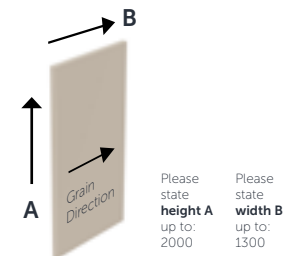
500mm x 700mm  
**BP7/5E - £69**  
500mm x 800mm  
**BP8/5E - £75**



### Bath Panel Plinth

200mm x 1800mm  
**BPP18/2F - £75**  
200mm x 800mm  
**BPP8/2F - £39**

Matching plinth available to allow height adjustment up to 650mm high. Bath panels can be scribed on site to suit smaller baths & should be sealed with PVA sealant (sealant not supplied).



### Cut & Edged Material

Suitable for special sizes  
To suit all Matching Front finishes  
Cut & Edged all round

To calculate cost:  
Length (A) in mtr x Width (B) in mtr x Price  
Grain direction runs parallel to the width (B)

**MMF/18 - £149**  
Price per sq/m

**UGET22 - £7**  
Price per sq/m  
Matching edging tape, un-glued

# LED Mirror Cabinets

## Lambro

Mirror sided cabinet with double sided mirrored LED door with diffused cool white LED inset border & worktop striplight.



Single Door  
**LAMBRO 1 - £689**  
700h x 500w x 138d

Double Door  
**LAMBRO 2 - £849**  
700h x 600w x 138d

## Lunar

Recessed matt black cabinet with diffused tunable LED illuminated border double sided mirror door.



Single Door  
**LUNAR - £799**  
700h x 500w x 116d (recessed)



*Lambro*

*Lunar*



## Orco

Mirror sided cabinet with double sided mirrored door and diffused cool white LED edged side panels & worktop striplight.



Single Door  
**ORCO 1 - £799**  
700h x 564w x 130d



Double Door  
**ORCO 2 - £899**  
700h x 664w x 130d



Triple Door  
**ORCO 3 - £999**  
700h x 1200w x 130d

Order Code	Portrait	Landscape	H x W x D	240 Volt	Wattage	IP44	Light Temperature	Touch/Infrared Sensor	Dimmable	Shaver Socket	USB Charging	Bluetooth Speakers	Demister Pad	Shelves	Worktop Task lighting	Recessed	Price
<b>LUNAR</b>	•		700 x 500 x 116	•	25	•	Tunable	•	•	•	•		•	2		•	£799
<b>LAMBRO 1</b>	•		700 x 500 x 138	•	25.5	•	Cool	•		•			•	2	•		£689
<b>LAMBRO 2</b>	•		700 x 600 x 138	•	36	•	Cool	•		•			•	2	•		£849
<b>ORCO 1</b>	•		700 x 564 x 138	•	23.1	•	Cool	•		•		•	•	2	•		£799
<b>ORCO 2</b>	•		700 x 664 x 138	•	25	•	Cool	•		•		•	•	2	•		£899
<b>ORCO 3</b>		•	700 x 1200 x 138	•	28.8	•	Cool	•		•		•	•	2	•		£999

# LED Mirrors

## Moon

Cool white LED illuminated mirror with matt black floating edge frame.



Rectangle Portrait  
**MOON RT - £279**  
700h x 500w



Round  
**MOON RD - £219**  
600 Diameter



## Ellipse

Natural white LED backlit illuminated mirror.



Round  
**ELLIPSE - £299**  
600 Diameter



## Magra

Tunable LED illuminated backlit diffused boarder mirror.



Round  
**MAGRA - £319**  
600 Diameter



## Apollo

Tunable multi spot LED illuminated mirror.



Rectangular Portrait  
**APOLLO - £199**  
500h x 390w



## Espa

Diffused cool white LED illuminated strip mirror Battery powered for cable free installation.



Rectangular Portrait  
**ESPA 50 - £279**  
650h x 500w



## Winchester

Diffused cool white LED illuminated strip mirror.



Rectangular Portrait or Landscape  
**WINCHESTER - £289**  
700 x 500

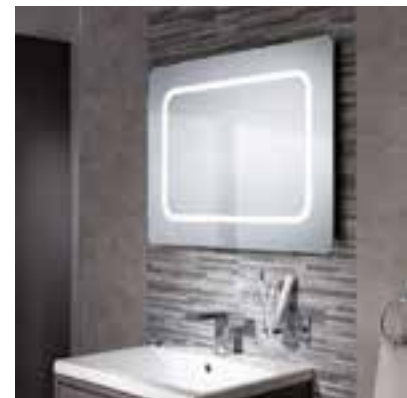


## Oxford

Diffused cool white LED illuminated inset border mirror with soft radiused corners.



Rectangular Portrait or Landscape  
**OXFORD 60 - £449**  
800 x 600



## Zen

Diffused tunable LED illuminated border mirror.



Rectangle Portrait  
**ZEN - £329**  
800h x 600w



## Piazza

Diffused natural white LED illuminated inset border mirror.



Rectangular Portrait  
or Landscape  
**PIAZZA - £279**  
800h x 600w



## Ariel

Diffused tunable LED illuminated border mirror.



Rectangular Portrait  
or Landscape  
**ARIEL 1 - £279**  
600 x 500



Rectangular Portrait or Landscape  
**ARIEL 2 - £379**  
600 x 900



Rectangular Portrait or Landscape  
**ARIEL 3 - £429**  
600 x 1150



## Chiaro

Diffused natural white LED illuminated strip mirror.



Rectangle Portrait  
**CHIARO - £239**  
700h x 600w



## Mirrors

### Ovale



Landscape or portrait  
plain mirror with soft  
radius corners.

OM 60 - £239  
OM 90 - £259  
OM 120 - £299

### Universal



Landscape or portrait  
plain mirror with square  
corners.

MIR 330 - £166  
MIR 385 - £181  
MIR 60 - £237  
MIR 70 - £255  
MIR 80 - £278

Order Code	Portrait	Landscape	H x W x D	240 Volt	Wattage	IP44	Light Temperature	Touch/Infrared Sensor	Dimmable	Shaver Socket	Demister Pad	Price
Apollo	•		500 x 390 x 57	•	9	•	Tunable	•	•	•	•	£199
Moon Rectangle	•		700 x 500 x 63	•	47	•	Cool	•			•	£279
Moon Round			Ø600 x 63	•	32	•	Cool	•			•	£219
Chiaro	•		700 x 600 x 35	•	6	•	Natural	Switch				£239
Ellipse			Ø600 x 25	•	32	•	Natural	Switch			•	£299
Espa (Battery)	•		650 x 500 x 30	8xAA	4.4	•	Cool	Switch				£279
Magra			Ø600 x 35	•	23	•	Tunable	•			•	£319
Zen	•		800 x 600 x 28	•	21	•	Tunable	•	•		•	£329
Oxford	•	•	800 x 600 x 35	•	45	•	Cool	•			•	£449
Piazza	•	•	800 x 600 x 30	•	45	•	Natural	•			•	£279
Ariel 1	•	•	600 x 500 x 30	•	10	•	Tunable	•	•		•	£279
Ariel 2	•	•	600 x 900 x 30	•	16	•	Tunable	•	•		•	£379
Ariel 3	•	•	600 x 1150 x 30	•	19.5	•	Tunable	•	•		•	£429
Winchester	•	•	700 x 500 x 55	•	35	•	Cool	•		•	•	£289
Plain Mirrors												
OM 60	•	•	450 x 600 x 30									£239
OM 90	•	•	450 x 900 x 30									£259
OM 120	•	•	450 x 1200 x 30									£299
MIR 330	•	•	655 x 330 x 30									£166
MIR 385	•	•	655 x 385 x 30									£181
MIR 60	•	•	900 x 600 x 30									£237
MIR 70	•	•	900 x 700 x 30									£255
MIR 80	•	•	900 x 800 x 30									£278

# Handles

A wide selection of handles are available in a range of finishes chosen to enable you to design your perfect bathroom. All handles are inclusive when selected with a cabinet. Please note, one handle is supplied per door/drawer front. If additional handles are required, they must be ordered separately and additionally charged as detailed below.

## Contemporary Chrome Handle



No. 721 (65 wide / 32 centres)  
**£17**

## Contemporary Satin Brass Handle



No. 723 (65 wide / 32 centres)  
**£17**

## Contemporary Matt Black Handle

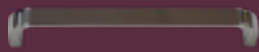


No. 722 (65 wide / 32 centres)  
**£17**

## Chrome Knob & 'D' Handle



No. 710 (25 wide / Single centre)  
**£7**

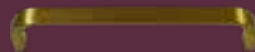


No. 709 (134 wide / 128 centres)  
**£7**

## Brushed Brass Knob & 'D' Handle



No. 718 (25 wide / Single centre)  
**£11**



No. 717 (134 wide / 128 centres)  
**£14**

## Matt Black Knob & 'D' Handle



No. 716 (25 wide / Single centre)  
**£11**



No. 715 (134 wide / 128 centres)  
**£14**

## Antique Black 'D' Handle



No. 727 (170 wide / 160 centres)  
**£11**



No. 728 (328 wide / 320 centres)  
**£14**

## Square Satin Brass 'D' Handles

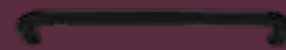


No. 706 (188 wide / 160 centres)  
**£11**



No. 707 (358 wide / 320 centres)  
**£14**

## Matt Black Slim Curve 'D' Handle



No. 685 (175 wide / 160 centres)  
**£11**



No. 686 (335 wide / 320 centres)  
**£14**

## Matt Black Frame Handle



No. 694 (168 wide / 160 centres)  
**£11**

Please note all handles are supplied loose for fitting on site. We do not drill cabinet fronts for handles.

All handles, brassware & accessories have been selected to complement one another. Due to different materials being used shading differences may apply.



## Chrome Square 'D' Handles



**Small**  
No. 621 (120 wide / 96 centres)  
**£7**



**Medium**  
No. 622 (220 wide / 192 centres)  
**£7**



**Large**  
No. 623 (358 wide / 320 centres)  
**£7**

## Polished Nickel Bar Handles



**Small**  
No. 724 (46 wide / 32 centres)  
**£7**



**Medium**  
No. 725 (174 wide / 160 centres)  
**£14**



**Large**  
No. 726 (334 wide / 320 centres)  
**£17**

## Chrome Bow Handle



No. 692 (240 wide / 160 centres)  
**£11**



No. 693 (385 wide / 320 centres)  
**£14**

## Chrome Hourglass Knob



No. 619 (19 diameter / Single centre)  
**£7**

## Push to Open

### Push to Open Cabinet Doors

Handleless Cabinet door option is inclusive.



### Push to Open Cabinet Drawers

Handleless Cabinet drawer option is subject to a surcharge.



**CODE: HANDLELESS**

**£30 per drawer surcharge**

Please note when the handleless option is ordered the soft close systems are removed.

# LED Mirror Lighting

## Loop Round LED Mirror Light

75mm Diameter - Clip On

**12V** **NW** **IP44**



Chrome finish

Kit (Inc Driver)  
**LT 248K - £113**

Extra Light  
**LT 248 - £73**

75 diameter x 26d supplied with a 2 metre cable. 3.6 Watt.  
Clip suitable for mirrors up to 6mm thick.  
All kits are supplied with a 15 watt driver for up to 4 lights.  
LED operating life of upto 50,000 hours. Zone 2 compatible.

Zone **2**



## Pulse Square LED Mirror Light

75mm Square - Clip On

**12V** **NW** **IP44**



Chrome finish

Kit (Inc Driver)  
**LT 249K - £113**

Extra Light  
**LT 249 - £73**

75 square x 27d supplied with a 2 metre cable. 4.8 Watt  
Clip suitable for mirrors up to 6mm thick.  
Kit includes 15 watt driver for up to 3 lights.  
LED operating life of upto 50,000 hours. Zone 2 compatible.

Zone **2**



## Aalto LED Over Mounted Light

300mm Wide - Mirror or Cabinet

**240V** **NW** **IP44**



Chrome finish

**LT 250 - £113**

Mains operated 240v 5.0 Watt.  
300w x 108d x 40h supplied with a 0.8 metre cable.  
Clip to mirror edge or screw fit to top panels  
(adapter and screws supplied).  
LED operating life of upto 50,000 hours. Zone 2 compatible.

Zone **2**



Zone **2**

Stretches to 60cm outside the bath,  
shower or water outlet of basin

See page 62 for more information



# Drawers

## Standard Supplied Drawers

Stylish anthracite finish slim metal drawer with 3 way adjustment and soft close full extension runners. Constructed with solid 16mm co-ordinated bases & backs for strength and stability. Supplied in two drawer heights of 88mm for standard drawers and 172mm for deep drawers.

These drawers are supplied for handle options only and cannot be retrofitted with either push to open or drawer lighting.

## Push To Open Drawers

Also available in anthracite finish this slim metal drawer also has 3 way adjustment and push open/close full extension runners. Constructed with solid 16mm co-ordinated bases & steel backs. Please note when push to open option is chosen the soft close system is removed.

Supplied in three drawer heights of 101mm & 139mm for standard drawers, and 187mm for deep drawers.

**The Push to Open Drawer box option costs £30 per drawer. If this option is required please quote order code 'HANDELESS' on your order.**

## Illuminated Drawers

Battery powered light fittings are available to illuminate drawer contents automatically when opening. Supplied with a removable factory fitted re-chargeable battery to the rear of each drawer. Please note, illuminated lights are not suitable for the top drawer in Two Drawer Wall Hung Cabinets due to the shaped U guard.

Drawer heights of 101mm & 139mm for standard drawers, and 187mm for deep drawers in the same style as Push to Open drawers.

These drawers will be supplied with standard soft close or Push to Open runners depending on handle or handleless option chosen.

**The Illuminated Drawer box option costs £99 per drawer. If this option is required please quote order code 'DLIGHT' on your order. Not suitable for the top drawer in Two Drawer Wall Hung Cabinets.**

## Shaped 'U' Drawer Guards

To allow plumbing access, our drawer units are supplied with 'U' guards to the below standard configurations:

### Single Deep Drawer Cabinets

As standard - the drawerbox will be supplied with a 'U' guard.



### Two Drawer Cabinets

As standard - the top drawerbox will be supplied with a 'U' guard, the bottom drawerbox will have a full drawer/no 'U' guard.



### Please Note:

If you want to change the 'U' guard specification, either to receive a full drawer rather than a U guard, or to have both drawers in a two drawer cabinet with 'U' guards, then this must be specified at the point of order and is subject to a surcharge of £25 per drawer changed.



# Pans & Cisterns

## Ceramic Back to Wall Pans



Arco Pan Round  
Including soft close quick release seat  
355w x 540d x 410h

**ARCO R BTW PAN - E329**



Arco Pan Square  
Including soft close quick release seat  
350w x 545d x 410h

**ARCO SQ BTW PAN - E329**



Bordo Pan  
Including soft close seat  
355w x 540d x 400h

**BORDO BTW PAN - E359**



Levanto Pan  
Including soft close seat  
370w x 510d x 393h

**LEV PAN SET - E299**

## Ceramic Wall Hung Pans

All Wall Hung Pans require a WCIB fixing frame which must be ordered separately.



Arco Pan Round  
Including soft close quick release seat  
360w x 550d x 325h

**ARCO R WH PAN - E349**



Arco Pan Square  
Including soft close quick release seat  
340w x 555d x 325h

**ARCO SQ WH PAN - E349**



Bordo Pan  
Including soft close seat  
355w x 500d x 345h

**BORDO WH PAN - E379**



Levanto Pan  
Including soft close seat  
370w x 520d x 330h

**LEV WH PAN - E319**

Pan height dimension shown do not include seat.



**Bordo Close Coupled Pan & Cistern**  
Including soft close seat  
355w x 620d x 400/785h

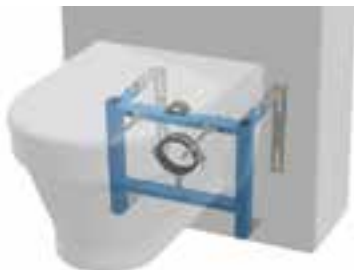
**BORDO CC SET - £349**

## Wall Hung WC Frame

To suit cabinet depths 220 & 320.  
Depth & height adjustable frame.

To suit wall hung pans.  
Pan not included.

Supplied with 198mm long WC fixing bolts.  
Adjustable 345w x 290-340h x 220-400d.  
Passes 400kg load test based on EN997.



**WCIB - £295**

## Concealed Cistern

Concealed cistern are pneumatically operated and can be ordered with a choice of six flush buttons or three flush plates. Please note: The cistern is included in the flush button/plate price.



- Our concealed WC cisterns are manufactured in the UK and fully comply with the latest water conservation regulations.
- The cisterns have dual flush technology and are factory set for 6ltr full or 4ltr reduced flush but can be adjusted to reduce water usage further to 5/3ltr or 4/2.6ltr flush settings.
- All our WC cabinets are factory prepared to accept our concealed cisterns.
- Cisterns are supplied loose for installation on site which are easy to install with push fit plumbing fittings.
- All our WC cabinets have removable front panels for easy access to maintenance of the cistern.
- Cisterns are fitted with an insulation jacket to reduce noise and condensation.
- Cistern Dimensions - 460w x 369h x 125d.

## Flush Button Operated Cisterns

Suits 828 & 1033 High WC Cabinets



Large Round Button  
In Chrome & Cistern  
(73.5mm round)  
**ATDVCGC - £285**



Large Round Button  
In Matt Black & Cistern  
(73.5mm round)  
**ATDVCGBL - £285**



Large Round Button  
In Brushed Brass & Cistern  
(73.5mm round)  
**ATDVCGBR - £285**



Small Round Button  
In Chrome & Cistern  
(51mm diameter)  
**ATDVC - £275**



Square Button  
In Chrome & Cistern  
(73.5mm square)  
**ATDVCS - £275**



Small Palm Push Button  
In Chrome & Cistern  
(51mm diameter)  
**ATDVCPB - £275**

## Flush Plate Operated Cisterns

Suits 1033 High WC Cabinets only



828 High 1033 High  
Flush plates are only suitable  
for 1033 High WC cabinets



Dual Flush Plate  
In Matt Black & Cistern  
(242w x 156h)  
**ATDVCPBL - £295**



Dual Flush Plate  
In Chrome & Cistern  
(242w x 156h)  
**ATDVCPB - £295**



Dual Flush Plate  
In Brushed Brass & Cistern  
(242w x 156h)  
**ATDVCPBR - £295**

The small Palm Push Button is single flush operation only designed for ease of use for those suffering from impaired mobility.

# Basins

## Simplicity Plus

A mineral cast basin combining contemporary slim lines and generous bowl size

## Manhattan

A ceramic basin standing 65mm high above the cabinet and with a feature thin rim edge

## Tribeca

A stylish rounded ceramic basin standing 35mm high above the cabinet

## Arco Wing Combination

A sleek, uninterrupted one piece mineral cast winged basin across two cabinets for an elegant space saving furniture design

## Cloakroom

Three options of cloakroom sized washbasins including a choice of rounded, high or framed rim basins in a choice of mineral cast or ceramic finishes.

**Mineral Cast basins offer dimensional accuracy. Ceramic basins are subject to manufacturing variations of up to  $\pm 5$ mm overall.**

**Bowl width and depth dimensions specified are for guideline purposes only and may be subject to variation.**



## Simplicity Plus

### 25mm rim height

Mineral cast basin with 25mm rim height.  
One central tap hole & central external overflow.

DESCRIPTION	WIDTH	DEPTH	BOWL WIDTH
510 wide Mineral Cast Basin	510	440	410
610 wide Mineral Cast Basin	610	440	510
710 wide Mineral Cast Basin	710	440	510
810 wide Mineral Cast Basin	810	440	510
910 wide Mineral Cast Basin	910	440	510



## Manhattan

### 65mm rim height

Ceramic basin with 65mm rim height.  
One central tap hole & central integral overflow.

DESCRIPTION	WIDTH	DEPTH	BOWL WIDTH
505 wide Ceramic Basin	505	400	395
600 wide Ceramic Basin	600	445	495
805 wide Ceramic Basin	805	455	495
1010 wide Ceramic Basin	1010	460	545



## Tribeca

### 35mm rim height

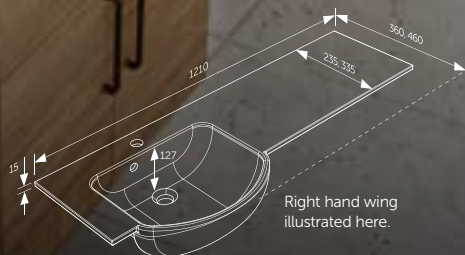
Ceramic basin with 35mm rim height.  
One central tap hole & central integral overflow.

DESCRIPTION	WIDTH	DEPTH	BOWL WIDTH
610 wide Ceramic Basin	610	465	510
810 wide Ceramic Basin	810	465	710
1010 wide Ceramic Basin	1010	465	910

## Arco Wing

### 15mm rim height

Mineral cast basin, left or right handed wing with 15mm rim height. One central tap hole & offset integral overflow.

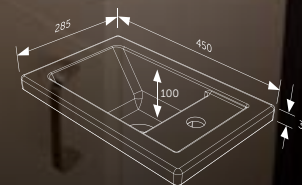


DESCRIPTION	WIDTH	DEPTH	BOWL WIDTH
1210 wide Mineral Cast Basin (to suit 220 deep cabinet)	1210	360	430
1210 wide Mineral Cast Basin (to suit 320 deep cabinet)	1210	460	430

## Bordo (Cloakroom)

### 30mm rim height

Ceramic basin with 30mm rim height. One side tap hole & with integral overflow.

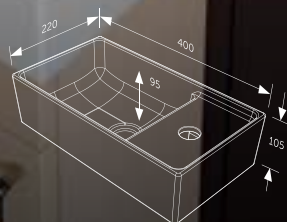


DESCRIPTION	WIDTH	DEPTH	BOWL WIDTH
450 wide Ceramic Basin	450	285	280

## Manhattan Mini (Cloakroom)

### 105mm rim height

Ceramic basin with 105mm rim height. One side tap hole & with integral overflow.

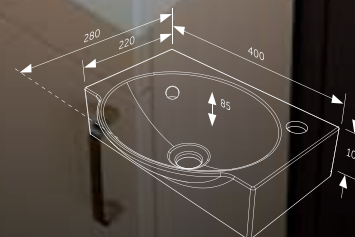


DESCRIPTION	WIDTH	DEPTH	BOWL WIDTH
400 wide Ceramic Basin	400	220	250

## Eva (Cloakroom)

### 105mm rim height

Mineral Cast basin with 105mm rim height. One side tap hole & external offset overflow.



DESCRIPTION	WIDTH	DEPTH	BOWL WIDTH
400 wide Mineral Cast Basin	400	220/290	330

# Brassware

## Dimensioning



Description Example:  
154h x 122d x 82t x 180c (0.1 bar)

Description shows:  
Overall height x Tap centre depth x Outlet height x Fixing Centres

(Minimum Operating Pressure)  
Please note that all our taps have ceramic cartridge internals and are suitable for high and low water pressures

All handles, brassware & accessories have been selected to complement one another. Due to different materials being used shading differences may apply.

## Black Matt Avra



BASIN MIXER  
Including Waste  
Black Matt Finish  
144h x 104d x 89t (0.2 bar)

**TAP BMS BM - £209**

BATH FILLER  
Waste not included  
Black Matt Finish  
119h x 114d x 64t x 180c (0.5 bar)

**TAP BMS BF - £279**

## Brass Brushed Avra



BASIN MIXER  
Including Waste  
Satin Brass Finish  
147h x 105d x 91t (0.2bar)

**TAP SB BM - £216**

BATH FILLER  
Waste not included  
Satin Brass Finish  
142h x 102d x 82t x 180c (0.2bar)

**TAP SB BF - £318**

## Black Matt Round



BASIN MIXER  
Including Waste  
Black Matt Finish  
168h x 125d x 78t (0.2 bar)

**TAP BMR BM - £118**

BATH FILLER  
Waste not included  
Black Matt Finish  
147h x 112d x 60t x 180c (0.5 bar)

**TAP BMR BF - £156**

## Chrome Avra



MINI BASIN MIXER  
Includes Waste  
Chrome Finish  
140h x 120d x 107t (0.2 bar)

**TAP AV MBM £127**

BASIN MIXER  
Includes Waste  
Chrome Finish  
150h x 123d x 110t (0.2 bar)

**TAP AV BM - £139**

TALL BASIN MIXER  
Waste not included  
Chrome Finish  
270h x 140d x 237t (0.5 bar)

**TAP AV TBM £233**

BATH FILLER  
Waste not included  
Chrome Finish  
126h x 106d x 80t x 180c (0.5 bar)

**TAP AV BF - £223**

BATH FILLER & SHOWER MIXER  
Waste not included  
Chrome Finish  
126h x 106d x 80t x 180c (0.5 bar)

**TAP AV BSM - £241**

\*Co-ordinating Handles available.



## Chrome Contemporary Round



MINI BASIN MIXER  
Including Waste  
Chrome finish  
142h x 82d x 75t (0.5 bar)

**TAP CR MBM £91**



BASIN MIXER  
Including Waste  
Chrome finish  
186h x 106d x 99t (0.1 bar)

**TAP CR BM - £97**



TALL BASIN MIXER  
Waste not Included  
Chrome finish  
309h x 133d x 211t (0.1 bar)

**TAP CR TBM £145**



BATH FILLER  
Waste not included  
Chrome finish  
143h x 110d x 69t x 180c (0.2 bar)

**TAP CR BF - £130**



BATH FILLER & SHOWER MIXER  
Waste not included  
Chrome finish  
143h x 110d x 69t x 180c (0.2 bar)

**TAP CR BSM - £159**



## Chrome Contemporary Square



MINI BASIN MIXER  
Including Waste  
Chrome finish  
120h x 80d x 48t (0.5 bar)

**TAP CS MBM £77**



BASIN MIXER  
Including Waste  
Chrome finish  
150h x 101d x 61t (0.5 bar)

**TAP CS BM £104**



BATH FILLER  
Waste not Included  
Chrome finish  
118h x 110d x 46t x 180c (1 bar)

**TAP CS BF £164**



BATH FILLER & SHOWER MIXER  
Waste not Included  
Chrome finish  
118h x 110d x 46t x 180c (1 bar)

**TAP CS BSM £192**



## Chrome Square Curved



MINI BASIN MIXER  
Including Waste  
Chrome finish  
130h x 108d x 75t (0.2 bar)

**TAP SC MBM £92**



BASIN MIXER  
Including Waste  
Chrome finish  
156h x 113d x 79t (0.2 bar)

**TAP SC BM - £105**



TALL BASIN MIXER  
Waste not Included  
Chrome finish  
314h x 123d x 253t (0.2 bar)

**TAP SC TBM £253**



BATH FILLER  
Waste not included  
Chrome finish  
154h x 122d x 80t x 180c (0.5 bar)

**TAP SC BF - £186**



BATH FILLER & SHOWER MIXER  
Waste not included  
Chrome finish  
154h x 122d x 80t x 180c (0.5 bar)

**TAP SC BSM - £219**



# Chrome Brassware

## Chrome Lugano Round



**BASIN MIXER**  
Includes Waste  
Chrome Finish  
139h x 105d x 83t (0.5 bar)

**TAP LU BM £95**



**BATH FILLER**  
Waste not included  
Chrome Finish  
119h x 114d x 64t x 180c (1 bar)

**TAP LU BF £161**



**BATH FILLER & SHOWER MIXER**  
Waste not included  
Chrome finish  
119h x 114d x 64t x 180c (1 bar)

**TAP LU BSM £195**



# Accessories

## Basin Overflow Ring

All basins are supplied with chrome overflow rings as standard



£10

## Basin Overflow Ring

Available in two finishes

Black Gloss  Satin Brass 

SIMPLICITY	OR S BG	OR S SB
MANHATTAN	OR M BG	OR M SB
TRIBECA	OR T BG	OR T SB

## Round



TOWEL RING  
In Chrome finish  
196h x 180w x 72d

AC 100 - £32

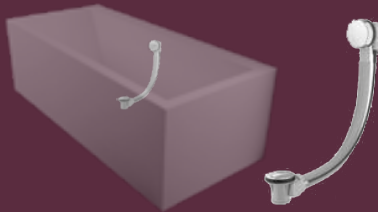


TOWEL RAIL  
In Chrome finish  
42h x 600w x 72d

AC 105 - £39

## Pop-Up Bath Waste

Available in chrome finish only



Chrome  
WASTE BATH CR - £79

## Cabinet Towel Rail

Available in two finishes

10h x 350w x 50d



Chrome  
CAB RAIL CR - £48

Black Gloss  
CAB RAIL BC - £82



SOAP DISH & HOLDER  
In Chrome finish  
46h x 118w x 129d

AC 102 - £32



TUMBLER & HOLDER  
In Chrome finish  
95h x 108w x 98d

AC 103 - £32



PAPER HOLDER  
In Chrome finish  
136h x 144w x 72d

AC 101 - £38



TOILET BRUSH & HOLDER  
In Chrome finish  
336h x 144w x 120d

AC 104 - £48

## Basin Waste



NANO WASTE FITTING  
Space saving pop-up  
waste fitting

NANO WASTE - £55



PUSH FIT TRAP  
Height under basin 54mm.  
To suit push fit waste pipe flexible  
de-siphoning valve

SSTRAP - £40

## Slotted Basin Waste Push Type



Pop-Up waste  
in polished  
chrome finish

Chrome  
WASTE SLOTTED CR £30

Black  
WASTE SLOTTED BC £30

Brushed Satin  
WASTE SLOTTED SB £30

Slotted wastes are designed for basins with overflow system.

## Feature Glass Shelf



Width:  
280mm **GFS30 - £83**  
330mm **GFS35 - £84**  
380mm **GFS40 - £88**  
580mm **GFS60 - £93**  
680mm **GFS70 - £97**  
780mm **GFS80 - £107**

Curved clear glass shelf with  
two chrome support brackets  
8mm thick 120mm deep

Extra glass shelf bracket



ASBRK - £16  
(priced per pair)

# Free Sample Swatch Service

## Sample Swatches

Choosing the perfect finish for your bathroom furniture is never an easy choice, and so we encourage our customers to take advantage of our sample swatch service to order up to five FREE colour swatches to be delivered to your address.

Simply email [sales@merewaybathrooms.co.uk](mailto:sales@merewaybathrooms.co.uk) or call our customer support team on 0121 706 5750 with the details of the swatch colours you require. We encourage you to take advantage of this service as photographic and printing processes for some colours may not be a true reflection of the actual product in natural light.

**Swatch samples 140mm x 100mm**

# Bathroom COLORE

## Colour Guide

Gloss	46
Stone & Metal Effect	48
Plain Woodgrain	50
Woodgrain	52
Matt Plain	55

*Bathrooms designed with personality*

**Please note:** Due to photographic & printing processes some colours may not be a true representation of the product. Please see sample for actual colour.

# Gloss

Snow White Gloss

**8685 MG**

# Gloss

Black Gloss

**0190 MG**

# Gloss

Ivory Gloss

**0514 MG**

# Gloss

Cool Grey Gloss

**0191 MG**

# Gloss

Slate Grey Gloss  
**0171 MG**

# Gloss

Cobalt Grey Gloss  
**6299 MG**

# Gloss

Cashmere Gloss  
**5981 MG**

# Gloss

Satin Gloss  
**7045 MG**

# Gloss

Latte Gloss  
**7166 MG**

# Gloss

Macchiato Gloss  
**8533 MG**

# Stone & Metal Effect

White Chromix  
**F637 ST16**

# Stone & Metal Effect

Silver Chromix  
**F638 ST16**





## Stone & Metal Effect

Anthracite Chromix  
**F641 ST16**



## Stone & Metal Effect

Levanto White Marble  
**F812 ST9**



## Stone & Metal Effect

Anthracite Metal Fabric  
**F461 ST10**



## Stone & Metal Effect

Black Gold Metal Slate  
**F629 ST16**

## Plain Woodgrain

White Woodgrain  
**0101 GC**

## Plain Woodgrain

Creme Woodgrain  
**7031 GC**

## Plain Woodgrain

Mussel Woodgrain  
**5982 GC**

## Plain Woodgrain

Cashmere Woodgrain  
**5981 GC**

# Plain Woodgrain

Clay Grey Woodgrain  
**K096 GC**

# Plain Woodgrain

Stone Grey Woodgrain  
**0112 GC**

# Plain Woodgrain

Slate Grey Woodgrain  
**0171 GC**

# Plain Woodgrain

Dusk Blue Woodgrain  
**K097 GC**

## Plain Woodgrain

Alby Blue Woodgrain  
**5994 GC**

## Woodgrain

Kaiserberg Oak  
**H3349 ST19**

## Woodgrain

Light Select Walnut  
**K008 PW**

## Woodgrain

Grey Nordic Wood  
**K089 PW**



## Woodgrain

Grey Craft Oak  
*K002 PW*



## Woodgrain

Blonde Liberty Elm  
*K017 PW*



## Woodgrain

Carbon Marine Wood  
*K016 PW*



## Woodgrain

Elegant Black Woodgrain  
*00113 W07*



## Woodgrain

Caramel Franklin Walnut  
*K546 RW*



## Woodgrain

Tobacco Franklin Walnut  
*K547 RW*



## Woodgrain

Amber Baroque Oak  
*K536 RW*



## Woodgrain

Ristretto Baroque Oak  
*K537 RW*

## Woodgrain

Smoked Kala Ash  
*K548 RW*

## Matt Plain

Graphite Grey  
*U961 ST2*

## Matt Plain

Light Grey  
*U708 ST9*

## Matt Plain

Dust Grey  
*U732 ST9*

# Matt Plain

Onyx Grey  
*U960 ST9*

# Matt Plain

Monument Grey  
*U780 ST9*

# Matt Plain

Taupe Grey  
*U750 ST9*

# Matt Plain

Lava Grey  
*U741 ST9*



# Matt Plain

Sage Green  
*U638 ST9*

# Matt Plain

Reed Green  
*U604 ST9*

# Matt Plain

Smoke Green  
*K521 SU*

# Matt Plain

Dark Emerald  
*K520 SU*

# Matt Plain

Fjord Green  
*U636 ST9*

# Matt Plain

Denim Blue  
*U540 ST9*

# Matt Plain

Smoke Blue  
*U507 ST9*

# Matt Plain

Misty Blue  
*U502 ST9*

# Matt Plain

Tyrolean Blue  
*U504 ST9*

# Matt Plain

Alby Blue  
*5994 BS*

# Matt Plain

Indigo Blue  
*U599 ST9*

# Matt Plain

Black  
*U999 ST2*

# Matt Plain

Rusty Red  
*U335 ST9*

# Matt Plain

Antique Rose  
*U325 ST9*

# Matt Plain

Deep Sahara  
*K514 SU*

# Matt Plain

Toffee  
*K516 SU*

# Matt Plain

Sunshine  
*U136 BST*

# Matt Plain

Goldfish Orange  
*U279 BST*

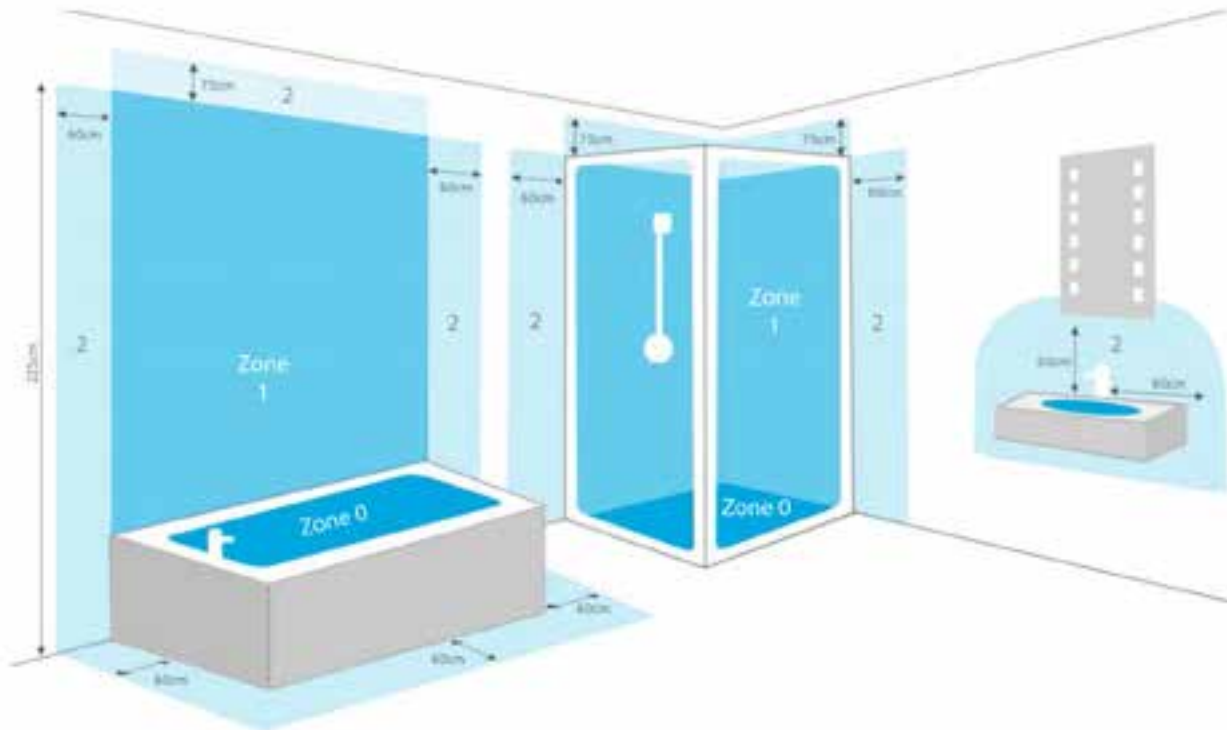
# Matt Plain

Candy Red  
*U137 BST*

# Matt Plain

Light Lavender  
*U816 BST*

# Lighting Safety Zone Guide



## Zone 0

Inside the bath or shower.  
Must be SELV type fittings installed.  
(Separated Extra Low Voltage -12v Max) due to water immersion.  
Minimum rating IP67

## Zone 1

225cm above the bath or shower.  
Minimum rating IP44

If there is a likelihood of water jets being used for cleaning IP 67 rated fittings must be used as IP44 is unsuitable.

## Zone 2

The area stretching up to 60cm outside the perimeter of the bath, shower or water outlet of basin. Minimum rating IP44

If there is a likelihood of water jets being used for cleaning IP 67 rated fittings must be used as IP44 is unsuitable.

**OUTSIDE ZONES** - Anywhere outside zones 0, 1 & 2, where water jets are not used for cleaning purposes, the general rules of BS7671 apply. Where water jets are used for cleaning IP67 rating must apply.

**OUTSIDE ZONES** - Any electrical circuits in a bathroom must be protected by a 240v 30mA Residual Current Device (RCD).

**Safety** - The latest IEE wiring regulations have identified specific zones within the bathroom to indicate which type of electrical equipment can be installed. The diagram above shows the three bathroom zones 0, 1 and 2. With this in mind our low voltage lighting fittings have a minimum rating of IP44. We recommend that you use a registered electrician to carry out any electrical installation.

# Terms & Conditions



## Maintenance and Aftercare

Due to the nature of the materials used, bathroom furniture will be adversely affected by water spillage or heavy condensation. To avoid any deterioration in the cabinets or work surfaces it is important to wipe dry any excess moisture. Please note when cleaning cabinets use a cloth dampened with soapy water, do not use any abrasive cleaners or solvents. We recommend adequate ventilation by installing an extractor fan connected to an outside wall to reduce the harmful effects of condensation. This will minimise the risk of damage that can be caused to these products by prolonged exposure to moisture which bathrooms are prone to.



## Installation

The installation should be in accordance with our fitting instructions. It is important that a waterproof sealant is used to seal any raw edges especially around basins and worktop joints. It is particularly important to seal along bath panel edges both vertically and horizontally.



## Electrical Recommendations

If any electrical fittings are to be installed ensure that all installation of any electrical fittings such as lights and shaving sockets are carried out by a qualified electrician and conform with local building regulations. If you are in any doubt contact your local council Building Control office.



## Guarantee

All Bathroom Colore bathroom furniture is manufactured to the highest quality, therefore all cabinets carry a 5 year guarantee. Guarantee details in full can be found on our website.

## General Conditions of Sale

All goods are sold subject to the company conditions of sale. A full copy of our terms and conditions are available to view on our website. We would however like to draw your attention to the following conditions:



- Goods should be carefully inspected on delivery as claims for damage or shortage can only be accepted if made in writing within 7 days of receipt of goods.
- We retain title of any goods supplied until payment has been made in full.
- In line with our company policy of continuous product development we reserve the right to alter, amend or re-specify any product illustrated without prior notice. E&OE

# Delivery Zones & Charges

## Zone A

Order Value over £250 - carriage free.  
Inner Circle: Orders under £250 - subject to £55 delivery charge.  
Postcodes: B, CV, WR, DY, WS, DE

Outer Zone: Orders under £250 - subject to £75 delivery charge

## Zone B

Order over £250 - delivery free.  
Orders under £250 - subject to £130 delivery charge.

## Carrier/Postage

48 hour  
This service is available for small, urgent items and will be charged at standard courier/Royal Mail prices.

This is a signed for service, so we ask that parcels are checked for signs of damage prior to accepting delivery.

## Carriers & Remedial Service

Please note, our carrier service can be used to order urgent items. However some items are not suitable for transport by carrier companies, i.e. large panels/tall units, ceramicware etc. If this is the case, we will arrange to send them on the next available delivery to your area. For carrier charges please contact our sales office.

## Deliveries to Scotland

Deliveries to Scotland are made in a 40ft articulated lorry on a weekly basis only. Please note we are unable deliver on a smaller vehicle

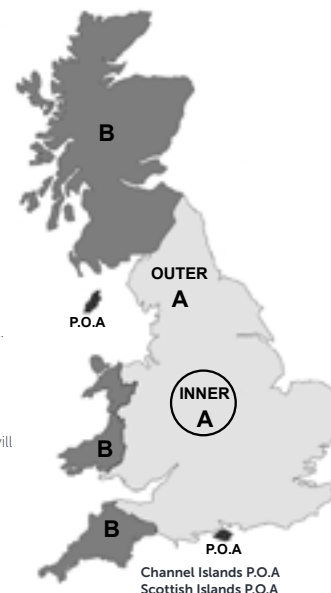
## Site Delivery

Zone A site deliveries are available at an additional charge, prices for other Zones can be obtained from our sales office and may be made using a third party. Site deliveries are kerbside only and dependent upon access with an 18 tonne or 40ft arctic vehicle. When we are delivering to site/home someone representing the showroom/retailer will need to be there to assist the driver and sign for the delivery.

Zone A site delivery charge £75  
Zone B site delivery charge POA

## Delivery Vehicles

Deliveries are made on our own fleet of 18 tonne Scania vehicles and items are palletised. Please note these are large vehicles, over 11 metres long and 4 metres high. If access to your delivery address is restricted, please contact the sales office in advance of your delivery on 0121 706 5750



# Bathroom COLORE

2023 Brochure

MerewayBathrooms®

We are a family business and have been manufacturing furniture for over 25 years. Our commitment to quality and a focus on innovation has meant that we have developed into one of the UK's most well known and highly regarded bathroom furniture brands. All of our furniture is manufactured in our factory in the UK and each cabinet is made to order.



[www.merewaybathrooms.co.uk](http://www.merewaybathrooms.co.uk)



**Colour reproduction:** We take great care in the imagery within our brochure. However due to variables in the printing process, colours may vary from the physical product. We recommend that a sample is viewed for the true colour and finish. The images may show optional accessories which do not form part of our standard specification. All copyright and all other intellectual property rights are the property of Mereway Bathrooms and no persons can reproduce any part of this brochure/price list by any means, electronic or mechanical, without our written permission and will be liable to prosecution.

2023BCPRICELIST