

# DISTINCTION



## 10 YEAR DISTINCTION WARRANTY

Bathex offer an extended 10 Year Warranty\* for all the Distinction range products.

\* See warranty terms on page 89.



Made in the United Kingdom

### Yardley Grab Rails

Straight Grab Rails	07
Arch Grab Rails	08
Wave Grab Rails	09
Cranked Grab Rails	10
L Shaped Rails	11
3 Flange Grab Rails	12
Corner Rails	13

### Knowle Grab Rails

Straight Grab Rails	14
Cranked Grab Rails	15
L Shaped Rails	16
3 Flange Grab Rails	17

### Backrest Rails

Backrest Rails	18
----------------	----

### Hinged Support Rails

Friction Single Arm and Double Arm	19
Friction Single Arm Concealed Fix	20
Friction Single Arm Removable	20
Friction Single Arm with Towel Rail	21

### Shower Accessories

Curtain Rails	22
Curtains & Hooks	23

### Grab Toilet Roll Holders

Yardley Grab Toilet Roll Holders	24
Knowle Grab Toilet Roll Holders	25

The Distinction range consists of two main product families, our contemporary Yardley design with a modern angular appearance and the more traditional Knowle design with its classic curves. Both benefit from the same graceful, low-profile fixturing.

For public environments consider the robust 35mm products, whereas for domestic applications with less intensive use take a look at the sleeker 25mm versions. All of these premium products are backed by our 10 year warranty and are available in a range of beautiful finishes and a wide range of colour options.

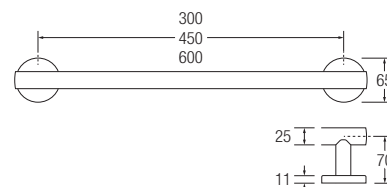


Exclusive designs, and superior materials in both contemporary and traditional styling.

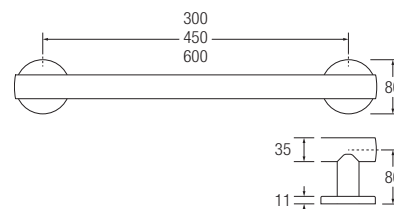
# Stainless Steel Yardley Grab Rails



25mm Yardley Grab Rail  
Mirror Polish



35mm Yardley Grab Rail  
Mirror Polish



## Straight Grab Rail



25mm	SS	300mm	17000MP	17000SP	17000WH	17000CO
25mm	SS	450mm	17001MP	17001SP	17001WH	17001CO
25mm	SS	600mm	17002MP	17002SP	17002WH	17002CO
35mm	SS	300mm	19000MP	19000SP	19000WH	19000CO
35mm	SS	450mm	19001MP	19001SP	19001WH	19001CO
35mm	SS	600mm	19002MP	19002SP	19002WH	19002CO

25mm

35mm

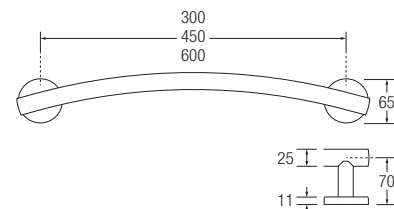
Stainless Steel

- Minimum projection distance from the wall for when space is at a premium.
- Stylish, low profile cover plates.
- Perfectly shaped machined support legs.
- Smaller tube diameter for stylish home bathroom applications.
- Available in mirror polished, sateen polished and polyester coated finishes. Please specify the RAL colour you require when ordering colours.
- Fixing holes to fit size 8 screws. (Fixings not supplied)

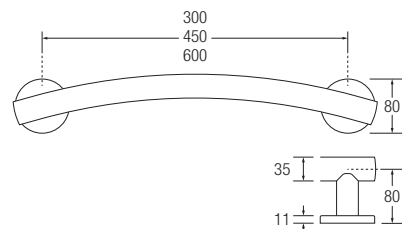
# Stainless Steel Yardley Arch Grab Rails



25mm Yardley Arch Grab Rail  
Mirror Polish



35mm Yardley Arch Grab Rail  
Mirror Polish



## Arch Grab Rail

-   
Mirror Polish
-   
Sateen Polish
-   
White
-   
RAL Colour

25mm	SS	300mm	17020MP	17020SP	17020WH	17020CO
25mm	SS	450mm	17021MP	17021SP	17021WH	17021CO
25mm	SS	600mm	17022MP	17022SP	17022WH	17022CO
35mm	SS	300mm	19020MP	19020SP	19020WH	19020CO
35mm	SS	450mm	19021MP	19021SP	19021WH	19021CO
35mm	SS	600mm	19022MP	19022SP	19022WH	19022CO

25mm

35mm

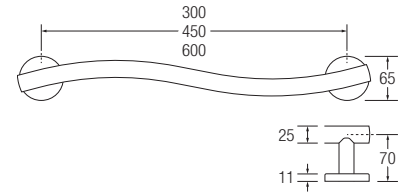
Stainless Steel

- Minimum projection distance from the wall for when space is at a premium.
- Stylish, low profile cover plates.
- Smaller tube diameter for stylish home bathroom applications. 25mm
- Perfectly shaped machined support legs.
- Available in mirror polished, sateen polished and polyester coated finishes. Please specify the RAL colour you require when ordering colours.
- Fixing holes to fit size 8 screws. (Fixings not supplied)

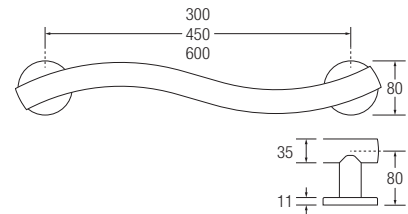
# Stainless Steel Yardley Wave Grab Rails



25mm Yardley Wave Grab Rail  
Mirror Polish | Left Hand

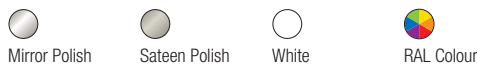


35mm Yardley Wave Grab Rail  
Mirror Polish | Left Hand



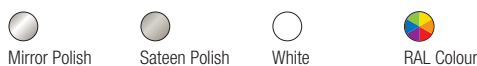
Right Hand

## Wave Grab Rail - Left Hand



25mm	SS	300mm	17030MP	17030SP	17030WH	17030CO
25mm	SS	450mm	17031MP	17031SP	17031WH	17031CO
25mm	SS	600mm	17032MP	17032SP	17032WH	17032CO
35mm	SS	300mm	19030MP	19030SP	19030WH	19030CO
35mm	SS	450mm	19031MP	19031SP	19031WH	19031CO
35mm	SS	600mm	19032MP	19032SP	19032WH	19032CO

## Wave Grab Rail - Right Hand



25mm	SS	300mm	17035MP	17035SP	17035WH	17035CO
25mm	SS	450mm	17036MP	17036SP	17036WH	17036CO
25mm	SS	600mm	17037MP	17037SP	17037WH	17037CO
35mm	SS	300mm	19035MP	19035SP	19035WH	19035CO
35mm	SS	450mm	19036MP	19036SP	19036WH	19036CO
35mm	SS	600mm	19037MP	19037SP	19037WH	19037CO

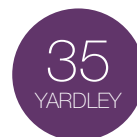
25mm 35mm

Stainless Steel

Left Hand Right Hand

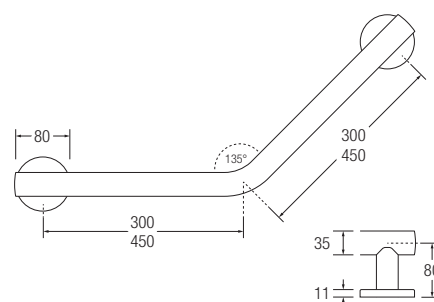
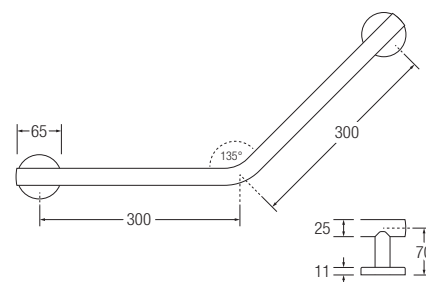
- Minimum projection distance from the wall for when space is at a premium.
- Stylish, low profile cover plates.
- Made as a single piece - providing a seamless finish.
- Smaller tube diameter for stylish home bathroom applications.
- Perfectly shaped machined support legs.
- Available in mirror polished, sateen polished and polyester coated finishes. Please specify the RAL colour you require when ordering colours.
- Fixing holes to fit size 8 screws. (Fixings not supplied)

# Stainless Steel Yardley Cranked Grab Rails



25mm Yardley Cranked Grab Rail  
Mirror Polish

35mm Yardley Cranked Grab Rail  
Mirror Polish



## Cranked Grab Rail

Mirror Polish   
 Sateen Polish   
 White   
 RAL Colour

25mm	SS	300mm x 300mm	17040MP	17040SP	17040WH	17040CO
35mm	SS	300mm x 300mm	19040MP	19040SP	19040WH	19040CO
35mm	SS	450mm x 450mm	19041MP	19041SP	19041WH	19041CO

25mm   
 35mm  
Stainless Steel

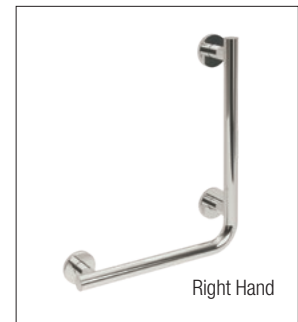
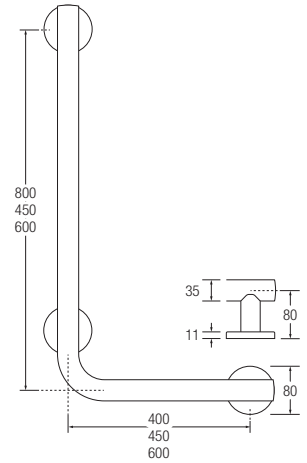
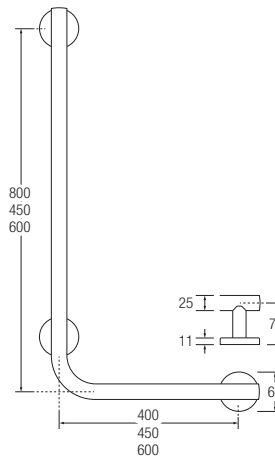
- Cranked for a more natural angle of grip.
- Minimum projection distance from the wall for when space is at a premium.
- Stylish, low profile cover plates.
- Smaller tube diameter for stylish home bathroom applications. Perfectly shaped machined support legs.
- Available in mirror polished, sateen polished and polyester coated finishes. Please specify the RAL colour you require when ordering colours.
- Fixing holes to fit size 8 screws. (Fixings not supplied)

# Stainless Steel Yardley L Shaped Grab Rails



25mm Yardley L Shaped Rail  
Mirror Polish | Left Hand

35mm Yardley L Shaped Rail  
Mirror Polish | Left Hand



Right Hand

## L Shaped Rail - Left Hand



25mm	SS	400mm x 800mm	17050MP	17050SP	17050WH	17050CO
25mm	SS	450mm x 450mm	17051MP	17051SP	17051WH	17051CO
25mm	SS	600mm x 600mm	17052MP	17052SP	17052WH	17052CO
35mm	SS	400mm x 800mm	19050MP	19050SP	19050WH	19050CO
35mm	SS	450mm x 450mm	19051MP	19051SP	19051WH	19051CO
35mm	SS	600mm x 600mm	19052MP	19052SP	19052WH	19052CO

25mm 35mm

Stainless Steel

Left Hand

Right Hand

- Single product solution for assistance in both horizontal and vertical planes.
- Minimum projection distance from the wall for when space is at a premium.
- Stylish, low profile cover plates.
- Smaller tube diameter for stylish home bathroom applications.
- Perfectly shaped machined support legs.
- Available in mirror polished, sateen polished and polyester coated finishes. Please specify the RAL colour you require when ordering colours.
- Fixing holes to fit size 8 screws. (Fixings not supplied)

## L Shaped Rail - Right Hand



25mm	SS	400mm x 800mm	17060MP	17060SP	17060WP	17060CO
25mm	SS	450mm x 450mm	17061MP	17061SP	17061WP	17061CO
25mm	SS	600mm x 600mm	17062MP	17062SP	17062WP	17062CO
35mm	SS	400mm x 800mm	19060MP	19060SP	19060WH	19060CO
35mm	SS	450mm x 450mm	19061MP	19061SP	19061WH	19061CO
35mm	SS	600mm x 600mm	19062MP	19062SP	19062WH	19062CO

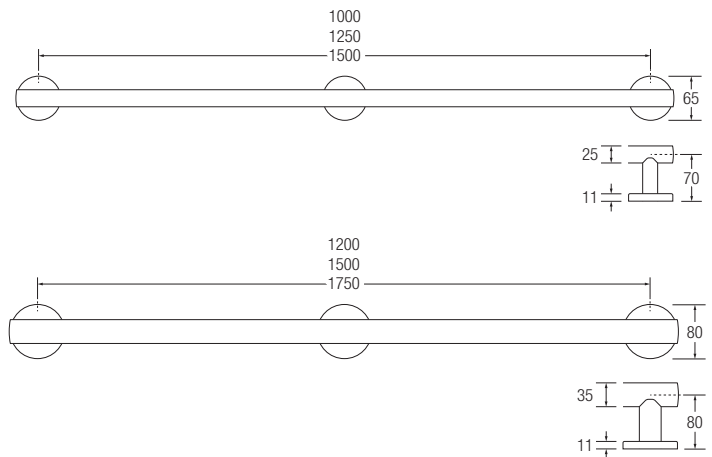
# Stainless Steel Yardley 3 Flange Grab Rails



25mm Yardley 3 Flange Grab Rail  
Mirror Polish / 1000mm



35mm Yardley 3 Flange Grab Rail  
Mirror Polish / 1500mm



## 3 Flange Grab Rail

25mm

35mm

Stainless Steel

- Minimum projection distance from the wall for when space is at a premium.
- Stylish, low profile cover plates.
- Smaller tube diameter for stylish home bathroom applications.
- Perfectly shaped machined support legs.
- Available in mirror polished, sateen polished and polyester coated finishes. Please specify the RAL colour you require when ordering colours.
- Cranked bath rails are available on request.
- Fixing holes to fit size 8 screws. (Fixings not supplied)



Mirror Polish



Sateen Polish



White



RAL Colour

25mm	SS	1000mm	17070MP	17070SP	17070WH	17070CO
25mm	SS	1250mm	17075MP	17075SP	17075WH	17075CO
25mm	SS	1500mm	17080MP	17080SP	17080WH	17080CO
35mm	SS	1200mm	19070MP	19070SP	19070WH	19070CO
35mm	SS	1500mm	19075MP	19075SP	19075WH	19075CO
35mm	SS	1750mm	19080MP	19080SP	19080WH	19080CO

# Stainless Steel Yardley Corner Rails

25  
YARDLEY

35  
YARDLEY



25/35mm Yardley Corner Rail  
Mirror Polish | Right Hand

## Corner Rail

				
25mm SS	17090MP	17090SP	17090WH	17090CO
35mm SS	19090MP	19090SP	19090WH	19090CO

## Corner Rail with Vertical Support

				
25mm SS	17095MP	17095SP	17095WH	17095CO
35mm SS	19095MP	19095SP	19095WH	19095CO



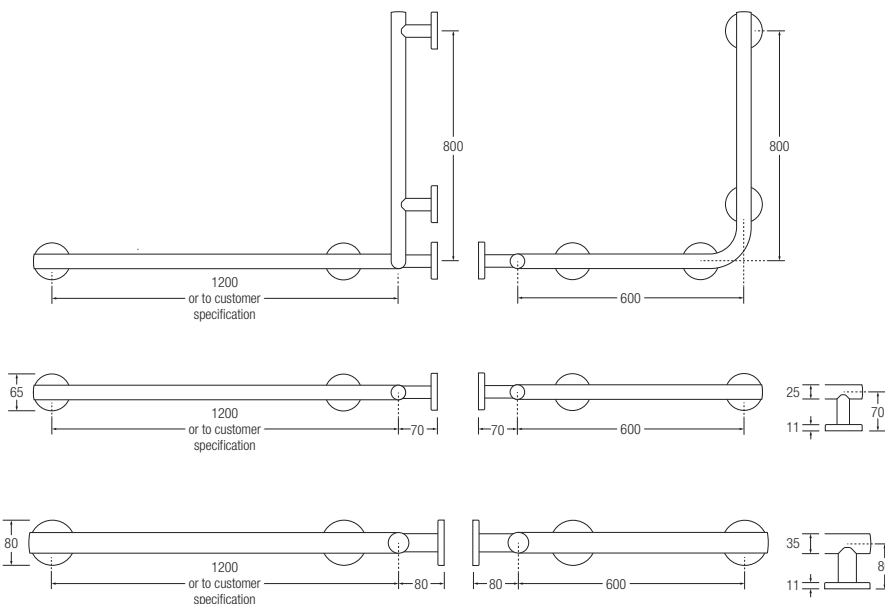
25/35mm Yardley Corner Rail  
with Vertical Support  
Mirror Polish | Right Hand

25mm 35mm

Stainless Steel

Left Hand Right Hand

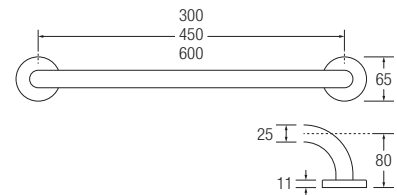
- This product is usually made to customer specifications. Please call to discuss your requirements.
- Minimum projection distance from the wall for when space is at a premium.
- Stylish, low profile cover plates.
- Smaller tube diameter for stylish home bathroom applications. Perfectly shaped machined support legs.
- Available in mirror polished, sateen polished and polyester coated finishes. Please specify the RAL colour you require when ordering colours.
- Fixing holes to fit size 8 screws. (Fixings not supplied)



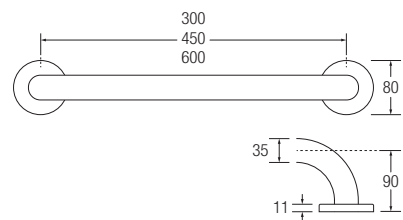
# Stainless Steel Knowle Grab Rails




25mm Knowle Grab Rail  
Mirror Polish



35mm Knowle Grab Rail  
Mirror Polish



## Straight Grab Rail

-   
Mirror Polish
-   
Sateen Polish
-   
White
-   
RAL Colour

25mm	SS	300mm	11000MP	11000SP	11000WH	11000CO
25mm	SS	450mm	11001MP	11001SP	11001WH	11001CO
25mm	SS	600mm	11002MP	11002SP	11002WH	11002CO
35mm	SS	300mm	18000MP	18000SP	18000WH	18000CO
35mm	SS	450mm	18001MP	18001SP	18001WH	18001CO
35mm	SS	600mm	18002MP	18002SP	18002WH	18002CO

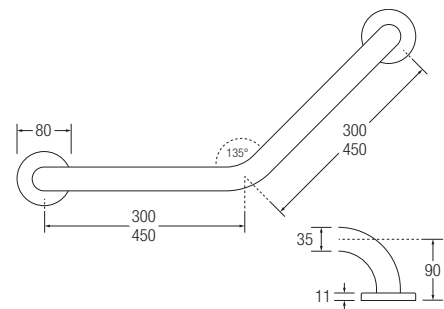
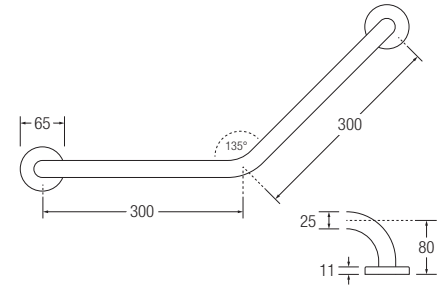
25mm

35mm



Stainless Steel

- Stylish, low profile cover plates.
- Smaller tube diameter for stylish home bathroom applications.
- Available in mirror polished, sateen polished and polyester coated finishes. Please specify the RAL colour you require when ordering colours.
- Fixing holes to fit size 8 screws. (Fixings not supplied)

## Stainless Steel Knowle Cranked Grab Rails

25  
KNOWLE35  
KNOWLE

### Cranked Grab Rail

 Mirror Polish
  Sateen Polish
  White
  RAL Colour

25mm	SS	300mm x 300mm	11040MP	11040SP	11040WH	11040CO
35mm	SS	300mm x 300mm	18040MP	18040SP	18040WH	18040CO
35mm	SS	450mm x 450mm	18041MP	18041SP	18041WH	18041CO

25mm

35mm

Stainless Steel

- Cranked for a more natural angle of grip.
- Minimum projection distance from the wall for when space is at a premium.
- Stylish, low profile cover plates.
- Smaller tube diameter for stylish home bathroom applications.
- Available in mirror polished, sateen polished and polyester coated finishes. Please specify the RAL colour you require when ordering colours.
- Fixing holes to fit size 8 screws. (Fixings not supplied)

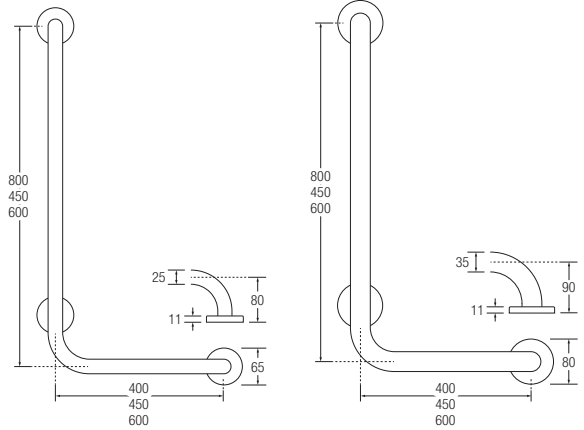
Stainless Steel

# Knowle L Shaped Grab Rails

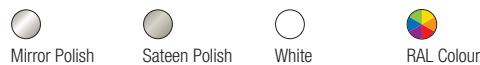


25mm Knowle L Shaped Rail  
Mirror Polish | Left Hand

35mm Knowle L Shaped Rail  
Mirror Polish | Left Hand



## L Shaped Rail - Left Hand



25mm	SS	400mm x 800mm	11050MP	11050SP	11050WH	11050CO
25mm	SS	450mm x 450mm	11051MP	11051SP	11051WH	11051CO
25mm	SS	600mm x 600mm	11052MP	11052SP	11052WH	11052CO
35mm	SS	400mm x 800mm	18050MP	18050SP	18050WH	18050CO
35mm	SS	450mm x 450mm	18051MP	18051SP	18051WH	18051CO
35mm	SS	600mm x 600mm	18052MP	18052SP	18052WH	18052CO

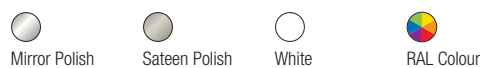
25mm 35mm

Stainless Steel

Left Hand Right Hand

- Single product solution for assistance in both horizontal and vertical planes.
- Minimum projection distance from the wall for when space is at a premium.
- Stylish, low profile cover plates.
- Smaller tube diameter for stylish home bathroom applications.
- Available in mirror polished, sateen polished and polyester coated finishes. Please specify the RAL colour you require when ordering colours.
- Fixing holes to fit size 8 screws. (Fixings not supplied)

## L Shaped Rail - Right Hand



25mm	SS	400mm x 800mm	11060MP	11060SP	11060WP	11060CO
25mm	SS	450mm x 450mm	11061MP	11061SP	11061WP	11061CO
25mm	SS	600mm x 600mm	11062MP	11062SP	11062WP	11062CO
35mm	SS	400mm x 800mm	18060MP	18060SP	18060WH	18060CO
35mm	SS	450mm x 450mm	18061MP	18061SP	18061WH	18061CO
35mm	SS	600mm x 600mm	18062MP	18062SP	18062WH	18062CO

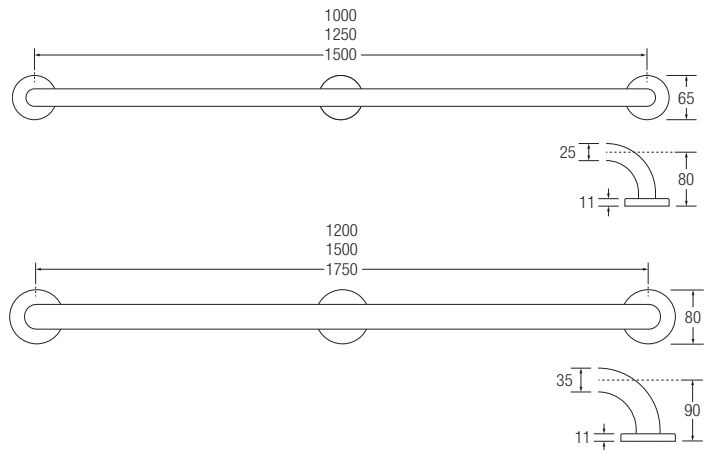
# Stainless Steel Knowle 3 Flange Grab Rails



25mm Knowle 3 Flange Grab Rail  
Mirror Polish / 1000mm



35mm Knowle 3 Flange Grab Rail  
Mirror Polish / 1500mm



## 3 Flange Grab Rail

Mirror Polish    
 Sateen Polish    
 White    
 RAL Colour

25mm	SS	1000mm	11070MP	11070SP	11070WH	11070CO
25mm	SS	1250mm	11075MP	11075SP	11075WH	11075CO
25mm	SS	1500mm	11080MP	11080SP	11080WH	11080CO
35mm	SS	1200mm	18070MP	18070SP	18070WH	18070CO
35mm	SS	1500mm	18075MP	18075SP	18075WH	18075CO
35mm	SS	1750mm	18080MP	18080SP	18080WH	18080CO

25mm     35mm  
Stainless Steel

- Minimum projection distance from the wall for when space is at a premium.
- Stylish, low profile cover plates.
- Smaller tube diameter for stylish home bathroom applications.
- Available in mirror polished, sateen polished and polyester coated finishes. Please specify the RAL colour you require when ordering colours.
- Cranked bath rails are available on request.
- Fixing holes to fit size 8 screws. (Fixings not supplied)

Stainless Steel

# Knowle Backrest and Cushion



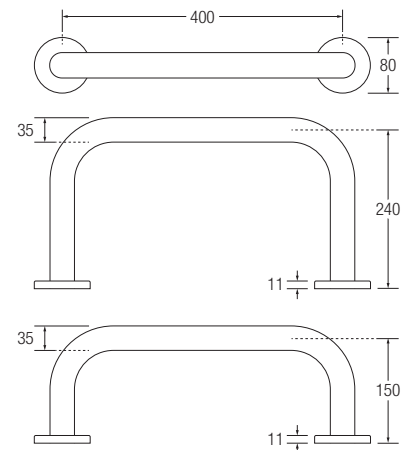
35mm Stainless Steel

- Stylish, low profile cover plates.
- Stainless Steel for use in wet or damp areas.
- Available in mirror polished, sateen polished and polyester coated finishes. Please specify the RAL colour you require when ordering colours.
- Fixing holes to fit size 8 screws. (Fixings not supplied)

The 150mm backrest rail is specifically designed to be used with the 650mm projection shower seat.

## Backrest Rail

			Mirror Polish	Sateen Polish	White	RAL Colour
35mm	SS	150mm	18015MP	18015SP	18015WH	18015CO
35mm	SS	240mm	18016MP	18016SP	18016WH	18016CO



## Backrest Cushion

	White	Blue RAL 5011
FOAM	49702	49703



- Water resistant foam.
- 365mm x 160mm x 50mm.
- Available in White or Blue RAL 5011.



Cushions are fixed onto the backrest rail using two bolt on brackets supplied.

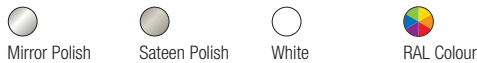
Stainless Steel

## Friction Single Arm Hinged Support Rail

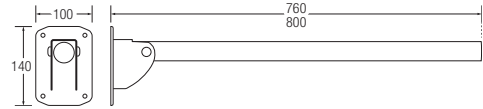
35



## Friction Single Arm Hinged Support Rail



35mm	SS	760mm	32901MP	32902SP	32903WH	32904CO
35mm	SS	800mm	32905MP	32905SP	32905WH	32905CO



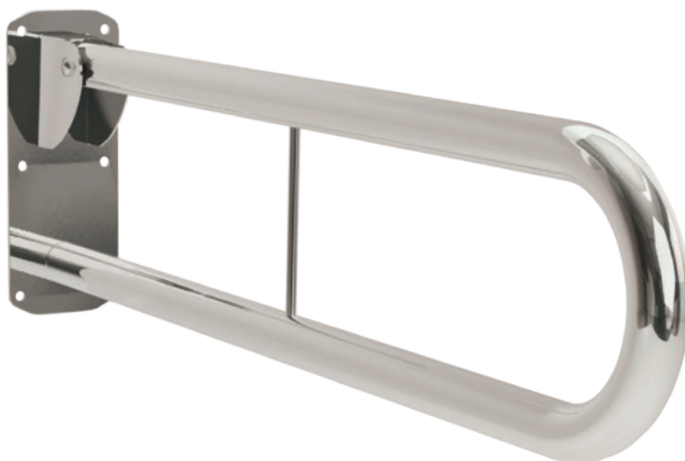
35mm Stainless Steel

- Easy to use friction action.
- Fully stainless steel backplate for ultimate durability.
- Strong tubular construction.
- Ideal for use in wet or damp areas.
- Tested to 120kg in vertical and 45 degree positions. This does not include customer fixings.
- Available in mirror polished, sateen polished and polyester coated finishes. Please specify the RAL colour you require when ordering colours.
- Backplate bolt holes are drilled for M8 Bolts. (Fixings not included)

Stainless Steel

## Friction Double Arm Hinged Support Rail

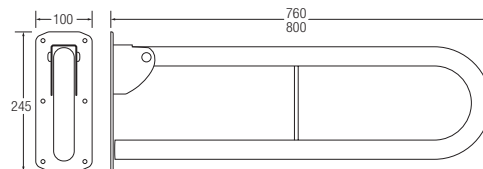
35



## Friction Double Arm Hinged Support Rail



35mm	SS	760mm	35820MP	35825SP	35830WH	35835CO
35mm	SS	800mm	35860MP	35860SP	35860WH	35860CO



35mm Stainless Steel

- Easy to use friction action.
- Fully stainless steel backplate for ultimate durability.
- Strong tubular construction.
- Ideal for use in wet or damp areas.
- Tested to 170kg in vertical and 45 degree positions. This does not include customer fixings.
- Available in mirror polished, sateen polished and polyester coated finishes. Please specify the RAL colour you require when ordering colours.
- Backplate bolt holes are drilled for M8 Bolts. (Fixings not included)

+ Ribbed Grip

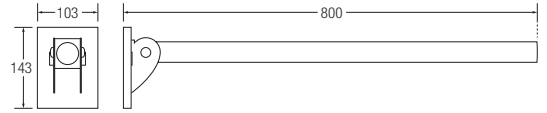
Friction Single and Double Hinged Rails can be manufactured with a ribbed grip for extra stability and confidence.

**Please add an 'R' to the end of the product code**

Stainless Steel

# Friction Single Concealed Fix Rail

35







35mm

Stainless Steel

- Easy to use friction action.
- Fully stainless steel backplate for ultimate durability.
- Strong tubular construction.
- Ideal for use in wet or damp areas.
- Tested to 120kg in vertical and 45 degree positions. This does not include customer fixings.
- Available in mirror polished, sateen polished and polyester coated finishes. Please specify the RAL colour you require when ordering colours.
- Backplate bolt holes are drilled for M8 Bolts. (Fixings not included)

## Friction Single Concealed Fix Rail

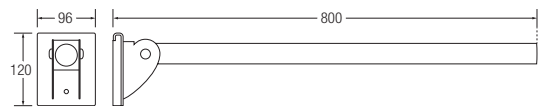
 Mirror Polish    
  Sateen Polish    
  White    
  RAL Colour

35mm SS 800mm 32930MP 32930SP 32930WH 32930CO

Stainless Steel

# Friction Single Concealed Removable Rail

35



35mm

Stainless Steel

- Easy to use friction action.
- Fully stainless steel backplate for ultimate durability.
- Strong tubular construction.
- Ideal for use in wet or damp areas.
- Tested to 120kg in vertical and 45 degree positions. This does not include customer fixings.
- Available in mirror polished, sateen polished and polyester coated finishes. Please specify the RAL colour you require when ordering colours.
- Backplate bolt holes are drilled for M8 Bolts. (Fixings not included)

## Friction Single Concealed Removable Rail

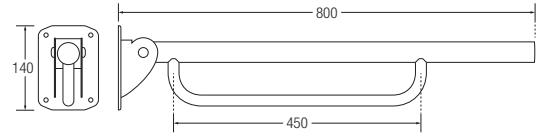
 Mirror Polish    
  Sateen Polish    
  White    
  RAL Colour

35mm SS 800mm 32940MP 32940SP 32940WH 32940CO

Stainless Steel

Friction Hinged Support Rail  
with Towel Rail

35



35mm

Stainless Steel

Friction Hinged Support Rail  
with Towel Rail

 Mirror Polish   
  Sateen Polish   
  White   
  RAL Colour

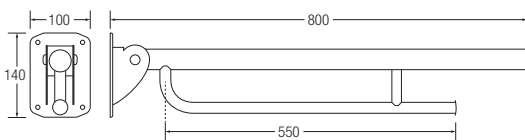
**35mm**    **SS**    **800mm**    35840MP    35840SP    35840WH    35840CO

- Fully stainless steel backplate for ultimate durability.
- Strong tubular construction.
- Ideal for use in wet or damp areas.
- Tested to 120kg in vertical and 45 degree positions.  
This does not include customer fixings.
- Available in mirror polished, sateen polished and polyester coated finishes. Please specify the RAL colour you require when ordering colours.
- Backplate bolt holes are drilled for M8 Bolts. (Fixings not included)

Stainless Steel

Friction Hinged Support Rail  
with Towel Rail & Toilet Roll Holder

35



35mm

Stainless Steel

- Fully stainless steel backplate for ultimate durability.
- Strong tubular construction.
- Ideal for use in wet or damp areas.
- Tested to 120kg in vertical and 45 degree positions.  
This does not include customer fixings.
- Available in mirror polished, sateen polished and polyester coated finishes. Please specify the RAL colour you require when ordering colours.
- Backplate bolt holes are drilled for M8 Bolts. (Fixings not included)

Friction Hinged Support Rail  
with Towel Rail & Toilet Roll Holder





 Mirror Polish   
  Sateen Polish   
  White   
  RAL Colour

**35mm**    **SS**    **800mm**    38340MP    38340SP    38340WH    38340CO

# Stainless Steel L Shaped Curtain Rails







## Curtain Rail

 Mirror Polish    
  Sateen Polish    
  White    
  RAL Colour

25mm	SS	750mm x 750mm	60600MP	60600SP	60600WP	60600CO
25mm	SS	1000mm x 1000mm	60620MP	60620SP	60620WP	60620CO
25mm	SS	1200mm x 1200mm	60630MP	60630SP	60630WP	60630CO
25mm	SS	750mm x 1700mm	60610MP	60610SP	60610WP	60610CO

## Curtain with Integrated Ceiling Stay

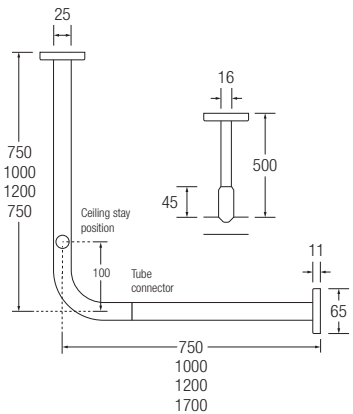
 Mirror Polish    
  Sateen Polish    
  White    
  RAL Colour

25mm	SS	750mm x 750mm	60650MP	60650SP	60650WP	60650CO
25mm	SS	1000mm x 1000mm	60670MP	60670SP	60670WP	60670CO
25mm	SS	1200mm x 1200mm	60680MP	60680SP	60680WP	60680CO
25mm	SS	750mm x 1700mm	60660MP	60660SP	60660WP	60660CO

Ceiling stay location will be as per illustration unless otherwise requested.

25mm     Stainless Steel

- Curtain Rails are modular and are joined using black connectors to aid delivery and installation. They can be manufactured as a single piece and to customer specification on request.
- Ceiling stays are recommended for rails used in shower scenarios due to the additional weight of a wet curtain. These are fitted during manufacture and cannot be added later.
- Ceiling Stays are 500mm long as standard and can be cut to length on site. Longer stays can be manufactured on request.
- Fixing holes to fit size 8 screws. (Fixings not supplied)



## Stainless Steel Straight Curtain Rails

25

### 25mm Curtain Rail

	White	Chrome Plate	Mirror Polish	Sateen Polish
25mm	SS	to Customer Spec.	On Req.	NA
	On Req.	NA	On Req.	On Req.

25mm Stainless Steel

- We recommend that only stainless steel curtain rails be used in wet or damp areas.
- Straight Curtain Rails are manufactured to customer specification. Price on application.
- Fixing holes to fit size 8 screws. (Fixings not supplied)



## Curtains and Hooks



Brass  
Curtain Hook

25mm	
Chrome Plate	66200
35mm	
Chrome Plate	66210



Plastic  
Curtain Hook

25mm - 35mm	
White Plastic	66180

- Curtain hooks are designed to be used with 25mm and 35mm tube.

### Curtain

Drop x Width	White Polyester (weighted)	White Satin Plastic
	1830mm x 914mm	65380
1830mm x 1830mm	65390	65360
2100mm x 1830mm	65397	NA

- 914mm curtains require 6 hooks.
- 1830mm satin plastic curtains require 10 hooks.
- 1830mm polyester curtains require 12 hooks.
- Please note, curtain hooks are not included and must be ordered separately.
- Suitable for wet or dry areas.

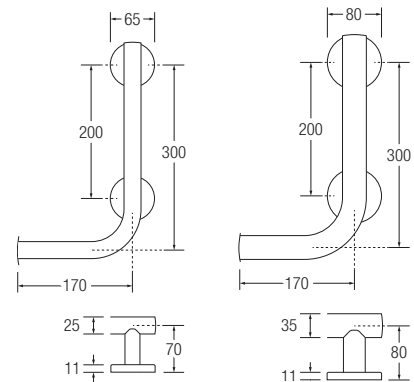
# Stainless Steel Yardley Grab Toilet Roll Holders



35mm Yardley Grab Toilet Roll Holder | Left Hand



25mm Yardley Grab Toilet Roll Holder | Left Hand



## Grab Toilet Roll Holder - Left Hand

	Mirror Polish	Sateen Polish	White	RAL Colour	
25mm	SS	17013MP	17013SP	17013WH	17013CO
35mm	SS	19013MP	19013SP	19013WH	19013CO

## Grab Toilet Roll Holder - Right Hand

	Mirror Polish	Sateen Polish	White	RAL Colour	
25mm	SS	17014MP	17014SP	17014WH	17014CO
35mm	SS	19014MP	19014SP	19014WH	19014CO

25mm    35mm

Stainless Steel

Left Hand    Right Hand

- Ideal for situations with restricted space.
- Minimum projection distance from the wall when space is at a premium.
- Stylish, low profile cover plates.
- Perfectly shaped machined support legs.
- 25mm tube diameter for stylish home bathroom applications.
- Available in mirror polished, sateen polished and polyester coated finishes. Please specify the RAL colour you require when ordering colours.
- Fixing holes to fit size 8 screws. (Fixings not supplied)

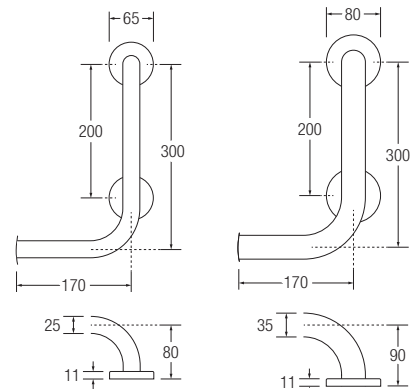
# Stainless Steel Knowle Grab Toilet Roll Holders



35mm Knowle Grab Toilet Roll Holder | Left Hand



25mm Knowle Grab Toilet Roll Holder | Left Hand



## Grab Toilet Roll Holder - Left Hand

- Mirror Polish
- Sateen Polish
- White
- RAL Colour

25mm	SS	11013MP	11013SP	11013WH	11013CO
35mm	SS	18013MP	18013SP	18013WH	18013CO

## Grab Toilet Roll Holder - Right Hand

- Mirror Polish
- Sateen Polish
- White
- RAL Colour

25mm	SS	11014MP	11014SP	11014WH	11014CO
35mm	SS	18014MP	18014SP	18014WH	18014CO

- 25mm
- 35mm

Stainless Steel

- Left Hand
- Right Hand

- Ideal for situations with restricted space.
- Stylish, low profile cover plates.
- 25mm tube diameter for stylish home bathroom applications.
- Available in mirror polished, sateen polished and polyester coated finishes. Please specify the RAL colour you require when ordering colours.
- Fixing holes to fit size 8 screws. (Fixings not supplied)

# PROFESSIONAL



## Grab Rails

25mm Straight Grab Rails	27
35mm Straight Grab Rails	28
25mm/35mm Cranked Grab Rails	29
3 Flange Cranked Grab Rails	30
L Shaped Grab Rails	31
Wall to Floor Grab Rails	32
3 Flange Straight Grab Rails	33
Corner Rails	34
Grab Toilet Roll Holders	35
Grab Poles	36

## Hinged Support Rails

Single Arm Supports with Leg	38
Double Arm Supports with Leg	39
Single Arm Supports SS	40
Double Arm Supports SS	41
Double Arm Supports with Leg SS	42
Free Standing Supports	43
Baby Changer	43
Backrest Rails	44
Backrest Cushions	44

## Anti Ligature

Grab Rail, Backrest and Double Arm	45
------------------------------------	----

## Shower Environment Products

Curtain Rails	46
Curtains and Hooks	47

The Professional range is our most extensive product offering aimed at applications that need to balance appearance, function and value for money. The products are tried and tested and deliver excellent quality and durability. Most of the designs incorporate concealed fixings for enhanced visual styling. It also contains our most comprehensive range of hinged support rails, and even specialist products such as our Anti Ligature range.

If you cannot find exactly what you need in this range, our sales team would be happy to discuss your specific requirements.

## 1 YEAR STANDARD WARRANTY

Bathex offer a minimum 1 Year Warranty\* on all products.

## 3 YEAR STAINLESS WARRANTY

Bathex offer an enhanced 3 Year Warranty\* on all Stainless Steel products.

\* See warranty terms on page 89.



The Professional range makes your choice easy, you are getting the best products at the best prices.

## Mild Steel and Stainless Steel Straight Grab Rails

25



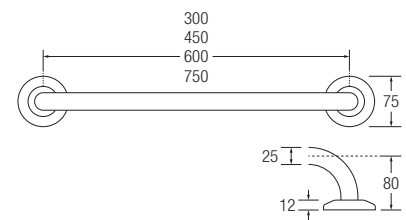
25mm

Mild Steel

Stainless Steel

Concealed Fix

- Mild Steel for use in dry areas. Stainless Steel for use in wet or damp areas.
- Available in polyester coated, chrome plated, mirror polished and sateen polished finishes. Please specify the RAL colour you require when ordering colours.
- Fixing holes to fit size 8 screws. (Fixings not supplied)



### 25mm Straight Grab Rail



White



Blue RAL 5011



RAL Colour



Chrome Plate



Mirror Polish



Sateen Polish

25mm	MS	300mm	15100C	15402C	On Req.	13000C	NA	NA
25mm	MS	450mm	15300C	15403C	On Req.	13200C	NA	NA
25mm	MS	600mm	15400C	15404C	On Req.	13300C	NA	NA
25mm	MS	750mm	15401C	15405C	On Req.	13400C	NA	NA
25mm	SS	300mm	29325C	29320C	On Req.	NA	29100C	29304C
25mm	SS	450mm	29350C	29321C	On Req.	NA	29200C	29306C
25mm	SS	600mm	29400C	29322C	On Req.	NA	29300C	29308C
25mm	SS	750mm	29450C	29323C	On Req.	NA	29301C	29309C



### Ribbed Grip

Straight Grab Rails can be manufactured with a ribbed grip. **Please add an 'R' to the end of the product code.** Please note ribbed grips are not recommended for wet environments.

# Mild Steel and Stainless Steel Straight Grab Rails

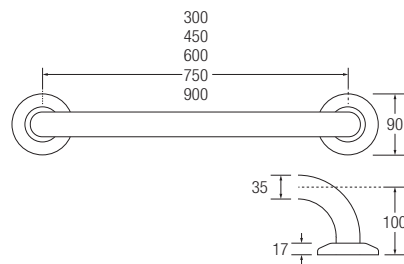
35



35mm Mild Steel Stainless Steel

Concealed Fix

- Mild Steel for use in dry areas. Stainless Steel for use in wet or damp areas.
- Available in polyester coated, chrome plated, mirror polished and sateen polished finishes. Please specify the RAL colour you require when ordering colours.
- Fixing holes to fit size 8 screws. (Fixings not supplied)



## 35mm Straight Grab Rail

White Blue RAL 5011 RAL Colour Chrome Plate Mirror Polish Sateen Polish

35mm	MS	300mm	21800C	21801C	21805C	21400C	NA	NA
35mm	MS	450mm	21900C	21901C	21905C	21500C	NA	NA
35mm	MS	600mm	22000C	22001C	22005C	21600C	NA	NA
35mm	MS	750mm	22100C	22101C	22102C	21700C	NA	NA
35mm	MS	900mm	22110C	22111C	22112C	21750C	NA	NA
35mm	SS	300mm	30700C	31260C	31270C	NA	29500C	30050C
35mm	SS	450mm	30800C	31261C	31271C	NA	29600C	30055C
35mm	SS	600mm	31000C	31262C	31272C	NA	29800C	30060C
35mm	SS	750mm	31100C	31263C	31273C	NA	29900C	30065C
35mm	SS	900mm	31200C	31264C	31274C	NA	30000C	30070C



### Ribbed Grip

Straight Grab Rails can be manufactured with a ribbed grip. **Please add an 'R' to the end of the product code.**

Please note ribbed grips are not recommended for wet environments.

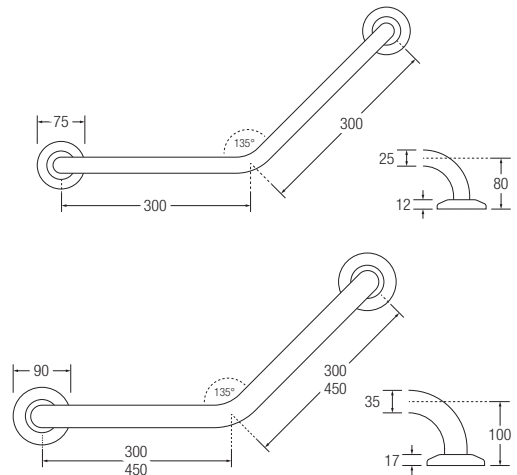
# Mild Steel and Stainless Steel Cranked Grab Rails



25mm
35mm
Concealed Fix

Mild Steel
Stainless Steel






- Creates a more natural angle for the hand, enabling easier movement. Reversible, not handed.
- Stainless Steel for use in wet or damp areas. Mild Steel for use in dry areas.
- Available in polyester coated, mirror polished and sateen polished finishes. Please specify the RAL colour you require when ordering colours.
- Fixing holes to fit size 8 screws. (Fixings not supplied)



## 25mm Cranked Grab Rail

								
				White	Blue RAL 5011	RAL Colour	Mirror Polish	Sateen Polish
25mm	MS	300mm x 300mm	17650C	On Req.	17655C	NA	NA	NA
25mm	SS	300mm x 300mm	32200C	On Req.	32205C	32240C	32250C	

## 35mm Cranked Grab Rail

								
				White	Blue RAL 5011	RAL Colour	Mirror Polish	Sateen Polish
35mm	MS	300mm x 300mm	24805C	On Req.	25200C	NA	NA	NA
35mm	MS	450mm x 450mm	27100C	On Req.	27120C	NA	NA	NA
35mm	SS	300mm x 300mm	32500C	On Req.	32590C	32300C	32350C	
35mm	SS	450mm x 450mm	27150C	On Req.	27170C	27180C	27190C	



### Ribbed Grip

Cranked Grab Rails can be manufactured with a ribbed grip. **Please add an 'R' to the end of the product code.** Please note ribbed grips are not recommended for wet environments.

# Mild Steel and Stainless Steel 3 Flange Cranked Grab Rails



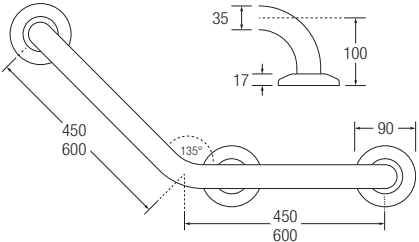
Left Hand  
3 Flange Cranked  
Grab Rails

35mm
  Left Hand
  Right Hand

Mild Steel
  Stainless Steel

Concealed Fix

- Creates a more natural angle for the hand, enabling easier movement.
- Additional flange for added strength.
- Stainless Steel for use in wet or damp areas. Mild Steel for use in dry areas.
- Available in polyester coated, mirror polished and sateen polished finishes. Please specify the RAL colour you require when ordering colours.
- Fixing holes to fit size 8 screws. (Fixings not supplied)



## 35mm 3 Flange Cranked Grab Rail - Left Hand

			White	Blue RAL 5011	RAL Colour	Mirror Polish	Sateen Polish
35mm	MS	450mm x 450mm	42720C	42725C	42726C	NA	NA
35mm	MS	600mm x 600mm	42820C	42825C	42826C	NA	NA
35mm	SS	450mm x 450mm	42760C	42765C	42766C	42770C	42775C
35mm	SS	600mm x 600mm	42860C	42865C	42866C	42870C	42875C



### Ribbed Grip

3 Flange Cranked Grab Rails can be manufactured with a ribbed grip. **Please add an 'R' to the end of the product code.** Please note ribbed grips are not recommended for wet environments.

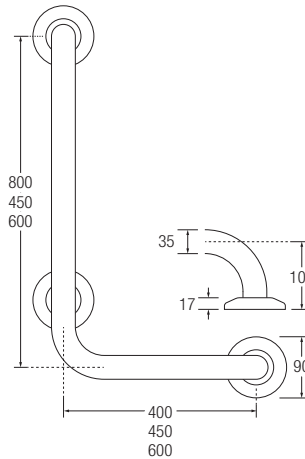
## 35mm 3 Flange Cranked Grab Rail - Right Hand

			White	Blue RAL 5011	RAL Colour	Mirror Polish	Sateen Polish
35mm	MS	450mm x 450mm	42730C	42735C	42736C	NA	NA
35mm	MS	600mm x 600mm	42830C	42835C	42836C	NA	NA
35mm	SS	450mm x 450mm	42780C	42785C	42786C	42790C	42795C
35mm	SS	600mm x 600mm	42880C	42885C	42886C	42890C	42895C

# Mild Steel and Stainless Steel L Shaped Grab Rails



35mm   
  Left Hand   
  Right Hand  
 Mild Steel   
  Stainless Steel   
  Concealed Fix



- Stainless Steel for use in wet or damp areas. Mild Steel for use in dry areas.
- Available in polyester coated, chrome plated, mirror polished and sateen polished finishes. Please specify the RAL colour you require when ordering colours.
- Bespoke sizes available on request.
- Fixing holes to fit size 8 screws. (Fixings not supplied)

## 35mm L Shaped Rail - Left Hand

		White	Blue RAL 5011	RAL Colour	Mirror Polish	Sateen Polish	
35mm	MS	400mm x 800mm	39520C	39523C	39524C	NA	NA
35mm	MS	450mm x 450mm	39620C	39623C	39624C	NA	NA
35mm	MS	600mm x 600mm	39720C	39723C	39724C	NA	NA
35mm	SS	400mm x 800mm	39580C	39581C	39582C	39565C	39564C
35mm	SS	450mm x 450mm	39680C	39681C	39682C	39665C	39664C
35mm	SS	600mm x 600mm	39780C	39781C	39782C	39765C	39764C



### Ribbed Grip

L Shaped Grab Rails can be manufactured with a ribbed grip. **Please add an 'R' to the end of the product code.** Please note ribbed grips are not recommended for wet environments.

## 35mm L Shaped Rail - Right Hand

		White	Blue RAL 5011	RAL Colour	Mirror Polish	Sateen Polish	
35mm	MS	400mm x 800mm	39550C	39551C	39552C	NA	NA
35mm	MS	450mm x 450mm	39650C	39651C	39652C	NA	NA
35mm	MS	600mm x 600mm	39750C	39751C	39752C	NA	NA
35mm	SS	400mm x 800mm	39575C	39572C	39573C	39570C	39569C
35mm	SS	450mm x 450mm	39675C	39672C	39673C	39670C	39669C
35mm	SS	600mm x 600mm	39775C	39772C	39773C	39770C	39769C

# Mild Steel and Stainless Steel Wall to Floor Grab Rails

35

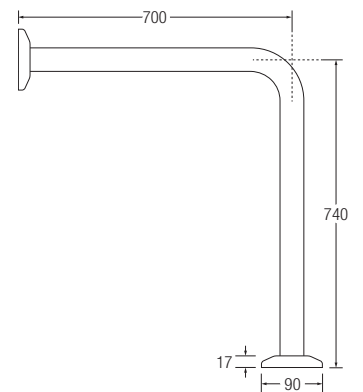


35mm

Mild Steel    Stainless Steel

Concealed Fix

- Stainless Steel for use in wet or damp areas. Mild Steel for use in dry areas.
- Available in polyester coated, mirror polished and sateen polished finishes. Please specify the RAL colour you require when ordering colours.
- Bespoke sizes available on request.
- Fixing holes to fit size 8 screws. (Fixings not supplied)



## 35mm Wall to Floor Grab Rail

			White	Blue RAL 5011	RAL Colour	Mirror Polish	Sateen Polish
35mm	MS	740mm x 700mm	37300C	37301C	37302C	NA	NA
35mm	SS	740mm x 700mm	38100C	38101C	38102C	37900C	37910C

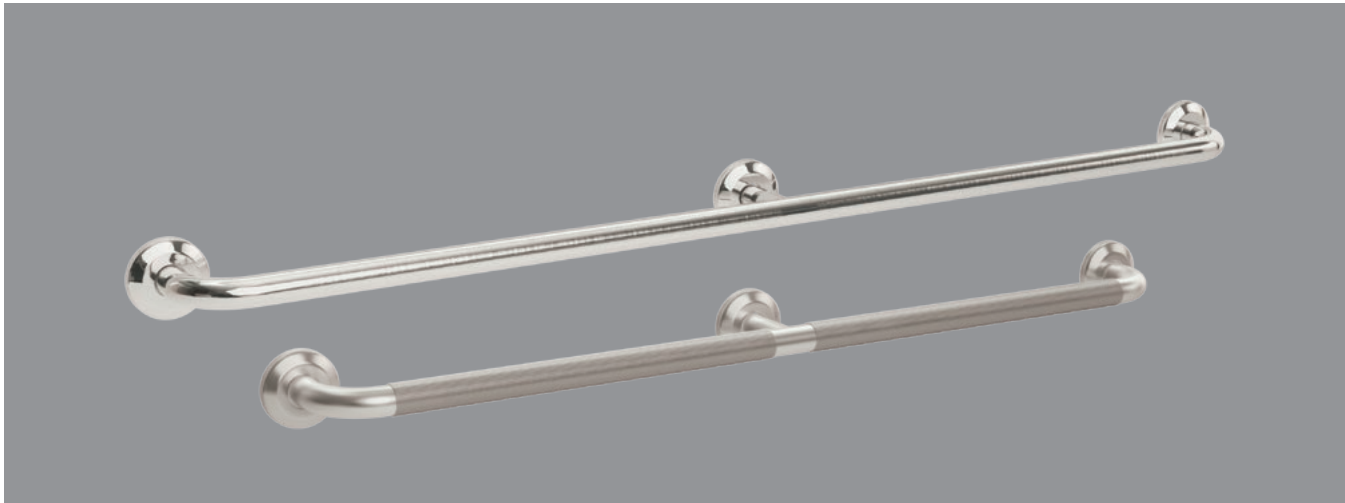


### Ribbed Grip

Wall to Floor Grab Rails can be manufactured with a ribbed grip. **Please add an 'R' to the end of the product code.** Please note ribbed grips are not recommended for wet environments.

# Mild Steel and Stainless Steel 3 Flange Grab Rails

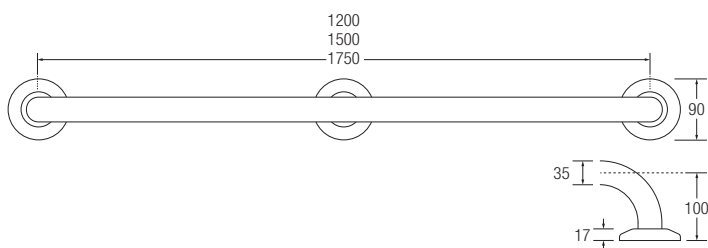
35



## 35mm 3 Flange Grab Rail

○ White
● Blue RAL 5011
● RAL Colour
○ Mirror Polish
○ Sateen Polish

35mm	MS	1200mm	42530C	On Req.	42535C	NA	NA
35mm	MS	1500mm	42570C	On Req.	42575C	NA	NA
35mm	SS	1200mm	41200C	On Req.	41300C	40800C	40900C
35mm	SS	1500mm	42300C	On Req.	42310C	42200C	42210C
35mm	SS	1750mm	42655C	42656C	42657C	42640C	42642C



35mm

Mild Steel

Stainless Steel

Concealed Fix

- Stainless Steel for use in wet or damp areas. Mild Steel for use in dry areas.
- Available in polyester coated, chrome plated, mirror polished and sateen polished finishes. Please specify the RAL colour you require when ordering colours.
- Cranked bath rails are available on request.
- Fixing holes to fit size 8 screws. (Fixings not supplied)

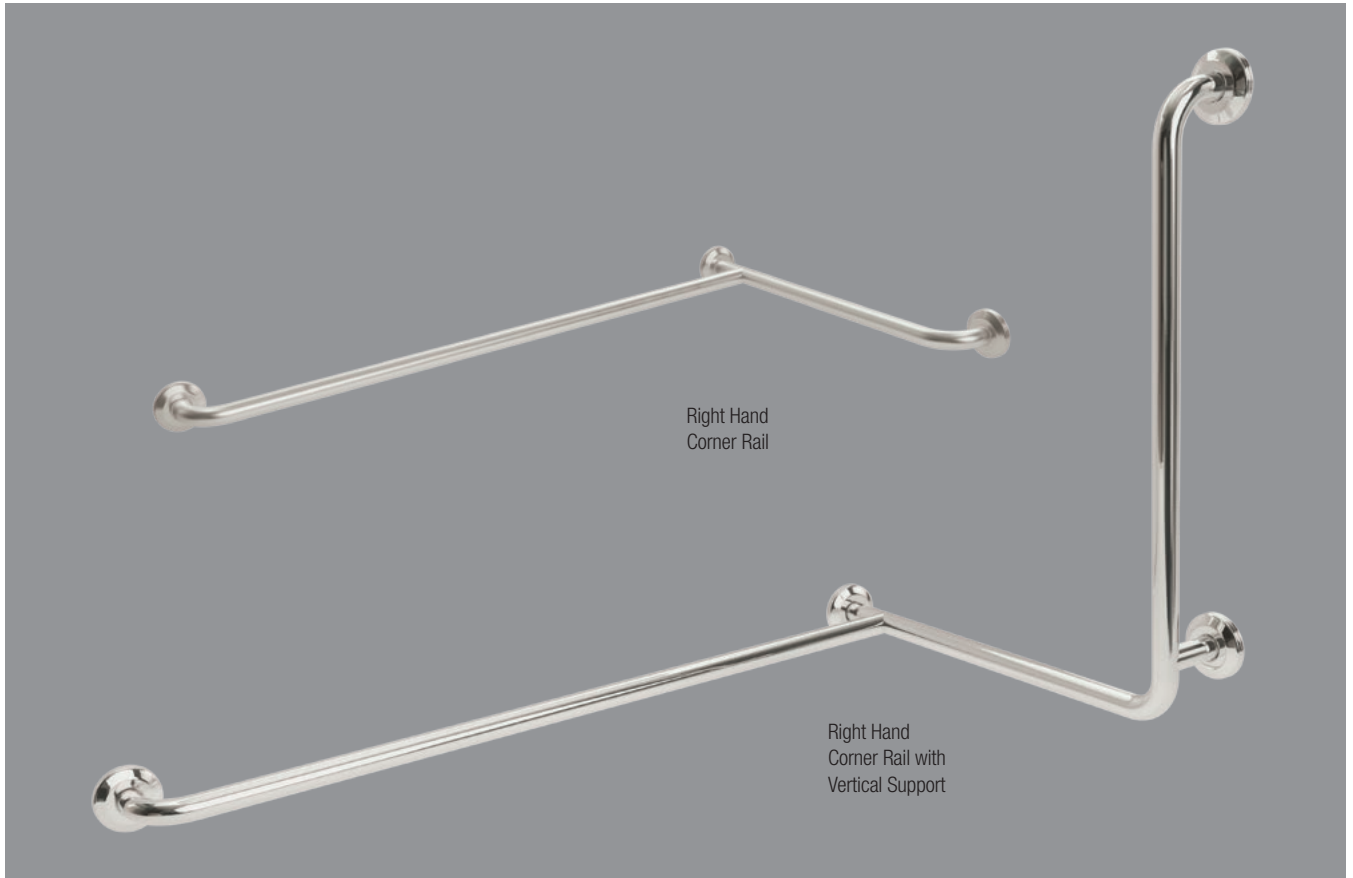
+

### Ribbed Grip

3 Flange Grab Rails can be manufactured with a ribbed grip. **Please add an 'R' to the end of the product code.** Please note ribbed grips are not recommended for wet environments.

# Stainless Steel Corner Rails

35



## 35mm Corner Rail

White    
  RAL Colour    
  Mirror Polish    
  Sateen Polish

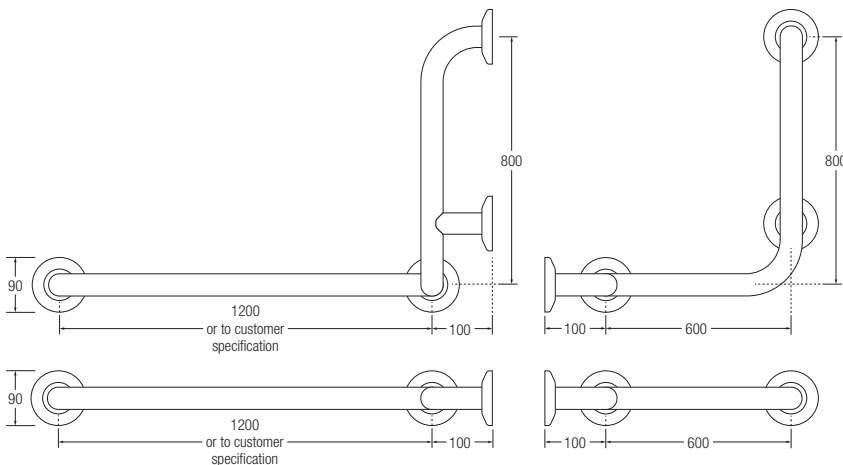
35mm	SS	No Vertical Support	43570C	43575C	43550C	43552C
35mm	SS	Vertical Support	42300C	43535C	43510C	43512C

35mm    
  Stainless Steel

Left Hand    
  Right Hand

Concealed Fix

- This product is usually made to customer specifications. Please call to discuss your requirements.
- Can be manufactured left or right hand.
- Stainless Steel for use in wet or damp areas.
- Available in polyester coated, mirror polished and sateen polished finishes. Please specify the RAL colour you require when ordering colours.
- Fixing holes to fit size 8 screws. (Fixings not supplied)



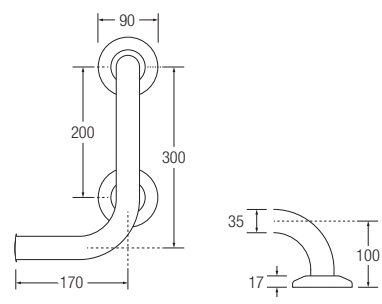
# Mild Steel and Stainless Steel Grab Toilet Roll Holders

35



35mm	Left Hand	Right Hand
Mild Steel	Stainless Steel	
Concealed Fix		

- Ideal for situations with restricted space.
- Left or right hand.
- Stainless Steel for use in wet or damp areas. Mild Steel for use in dry areas.
- Available in polyester coated, mirror polished and sateen polished finishes. Please specify the RAL colour you require when ordering colours.
- Fixing holes to fit size 8 screws. (Fixings not supplied)



## 35mm Grab Toilet Roll Holder - Left Hand

			White	RAL Colour	Mirror Polish	Sateen Polish
35mm	MS	300mm	31405C	31425C	NA	NA
35mm	SS	300mm	31505C	21525C	31555C	31565C

## 35mm Grab Toilet Roll Holder - Right Hand

			White	RAL Colour	Mirror Polish	Sateen Polish
35mm	MS	300mm	31400C	31420C	NA	NA
35mm	SS	300mm	31500C	31520C	31550C	31560C

# Mild Steel Grab Poles

35



## 35mm Grab Pole

35mm Mild Steel  
Concealed Fix

○  
White

35mm	MS	2438mm	45410C
35mm	MS	2743mm	46010C

### + Part Rib Grip

35mm	MS	2438mm	45610C
35mm	MS	2743mm	46210C

### + Full Rib Grip

35mm	MS	2438mm	45850C
35mm	MS	2743mm	46450C

- Mild Steel for use in dry areas.
- Optional ribbed grip for extra stability and confidence.
- Available in white polyester coated finish. Colours available on request.
- Fixing holes to fit size 8 screws. (Fixings not supplied)
- Supplied with a loose top flange to enable the pole to be cut to length.

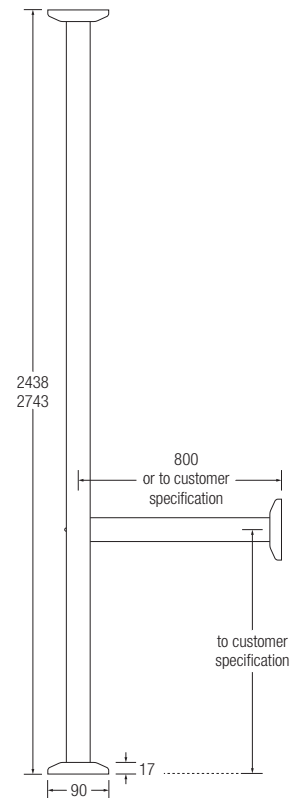
## 35mm Grab Pole with Cross Rail

○  
White

35mm	MS	2438mm	45310C
35mm	MS	2743mm	45330C

### + Part Rib Grip

35mm	MS	2438mm	45320C
35mm	MS	2743mm	45340C



# Stainless Steel Grab Poles

35



35mm Stainless Steel

Concealed Fix

- Stainless Steel for use in wet or damp areas.
- 35mm tube diameter with robust welded flanges for lasting strength and performance.
- Optional ribbed grip for extra stability and confidence.
- Available in white polyester coated, mirror polished and sateen polished finishes. Colours available on request.
- Fixing holes to fit size 8 screws. (Fixings not supplied)
- Supplied with a loose top flange to enable the pole to be cut to length.

## 35mm Grab Pole



White



Mirror Polish



Sateen Polish

35mm	SS	2438mm	47720C	47710C	47715C
35mm	SS	2743mm	48140C	48120C	48125C

### + Part Ribbed Grip

35mm	SS	2438mm	47740C	47730C	47735C
35mm	SS	2743mm	48180C	48160C	48165C

### + Full Ribbed Grip

35mm	SS	2438mm	45346C	45345C	On Req.
35mm	SS	2743mm	45356C	45355C	On Req.

## 35mm Grab Pole with Cross Rail



White



Mirror Polish



Sateen Polish

35mm	SS	2438mm	45350C	45360C	45365C
35mm	SS	2743mm	45370C	45380C	45385C

### + Part Ribbed Grip

35mm	SS	2438mm	45352C	45362C	45367C
35mm	SS	2743mm	45372C	45382C	45387C

# Mild Steel and Stainless Steel Single Arm Hinged Support Rails



Mild Steel    Stainless Steel

- Stainless Steel for use in wet or damp areas. Mild Steel for use in dry areas.
- 35mm tubular construction for superior strength and confidence.
- Hinged rails are tested to 170kg in vertical and 45 degree positions.
- Drop Down Leg can be adjusted to 680, 700, and 750mm heights with further micro adjustment of 40mm.
- Die-cast Aluminium Backplate for strength and rigidity.
- Available in polyester coated finish. Please specify the RAL colour you require when ordering colours.
- Bespoke sizes available on request
- Backplate bolt holes are drilled for M8 Bolts. (Fixings not supplied)

## Single Arm Hinged Support Rail with Drop Down Leg

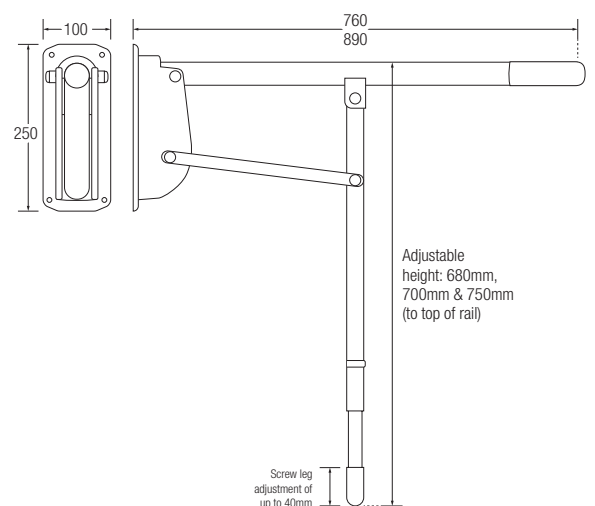
White
  Blue RAL 5011
  RAL Colour

35mm	MS	760mm	33600	33612	33613.
35mm	MS	890mm	33598	33599	33601
35mm	SS	760mm	33655	33662	33663
35mm	SS	890mm	33666	33667	33665

### + with Toilet Roll Holder

White
  Blue RAL 5011
  RAL Colour

35mm	MS	760mm	33580	33585	33590
35mm	MS	890mm	33596	33597	33595
35mm	SS	760mm	33695	33696	33697
35mm	SS	890mm	33668	33669	33670



35

# Mild Steel and Stainless Steel Double Arm Hinged Support Rails



Mild Steel    Stainless Steel

- Stainless Steel for use in wet or damp areas. Mild Steel for use in dry areas.
- 35mm tubular construction for superior strength and confidence.
- Hinged rails are tested to 170kg in vertical and 45 degree positions.
- Drop Down Leg can be adjusted to 680, 700, and 750mm heights with further micro adjustment of 40mm.
- Die-cast Aluminium Backplate for strength and rigidity.
- Available in polyester coated finish. Please specify the RAL colour you require when ordering colours.
- Bespoke sizes available on request
- Backplate bolt holes are drilled for M8 Bolts. (Fixings not supplied)



## Ribbed Grip

Double Arm Hinged Rails can be manufactured with a ribbed grip. **Please add an 'R' to the end of the product code.** Please note ribbed grips are not recommended for wet environments.

## Double Arm Hinged Support Rail with Drop Down Leg

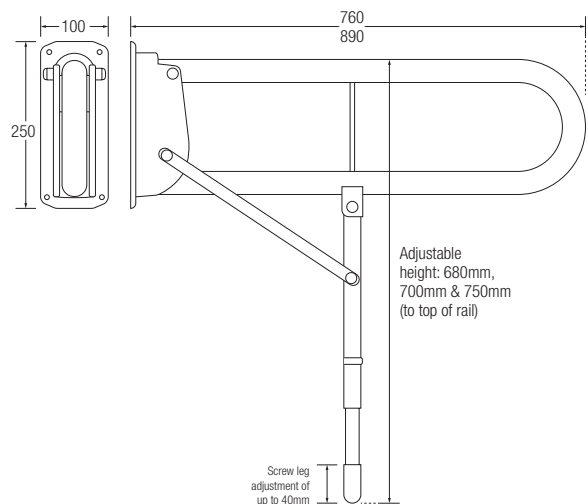
White   
 Blue RAL 5011   
 RAL Colour

35mm	MS	760mm	33920	33945	33950.
35mm	MS	890mm	33970	33971	33972
35mm	SS	760mm	35040	35070	35075
35mm	SS	890mm	35085	35086	35087

## + with Toilet Roll Holder

White   
 Blue RAL 5011   
 RAL Colour

35mm	MS	760mm	34810	34822	34808
35mm	MS	890mm	34827	34828	34826
35mm	SS	760mm	35240	35265	35270
35mm	SS	890mm	35276	35277	35278



# Stainless Steel Single Arm Hinged Support Rails



### Stainless Steel

- Stainless Steel for use in wet or damp areas.
- 35mm tubular construction for superior strength and confidence.
- Hinged rails are tested to 170kg in vertical and 45 degree positions.
- Fully Stainless Steel Backplate for ultimate durability.
- Available in mirror polished and sateen polished finishes.
- Bespoke sizes available on request.
- Backplate bolt holes are drilled for M8 Bolts. (Fixings not supplied)

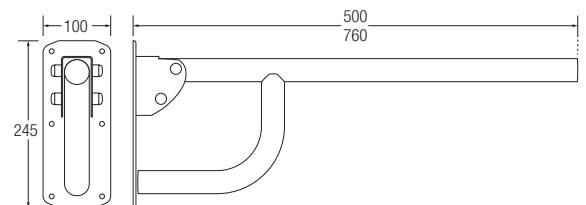


### Ribbed Grip

Single Arm Hinged Rails can be manufactured with a ribbed grip. **Please add an 'R' to the end of the product code.** Please note ribbed grips are not recommended for wet environments.

## Single Arm Hinged Support Rail

		Mirror Polish		Sateen Polish	
35mm	SS	500mm	33640	33642	
35mm	SS	760mm	33635	33637	



### + with Toilet Roll Holder

		Mirror Polish		Sateen Polish	
35mm	SS	500mm	33675	33677	
35mm	SS	760mm	33671	33672	



Single Arm Hinged Support Rail with Toilet Roll Holder

# Stainless Steel Double Arm Hinged Support Rails

35



### Stainless Steel



- Stainless Steel for use in wet or damp areas.
- 35mm tubular construction for superior strength and confidence.
- Hinged rails are tested to 170kg in vertical and 45 degree positions.
- Fully Stainless Steel Backplate for ultimate durability.
- Available in mirror polished and sateen polished finishes.
- Bespoke sizes available on request.
- Backplate bolt holes are drilled for M8 Bolts. (Fixings not supplied)

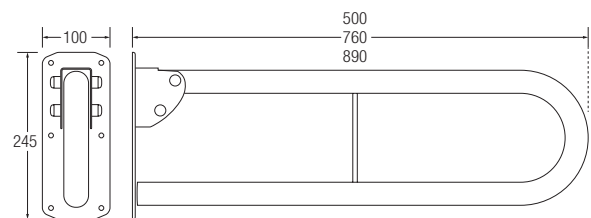


### Ribbed Grip



Double Arm Hinged Rails can be manufactured with a ribbed grip. **Please add an 'R' to the end of the product code.** Please note ribbed grips are not recommended for wet environments.

## Double Arm Hinged Support Rail

			 Mirror Polish	 Sateen Polish
35mm	SS	500mm	34950	34955
35mm	SS	760mm	34900	34910
35mm	SS	890mm	35038	35039



## + with Toilet Roll Holder

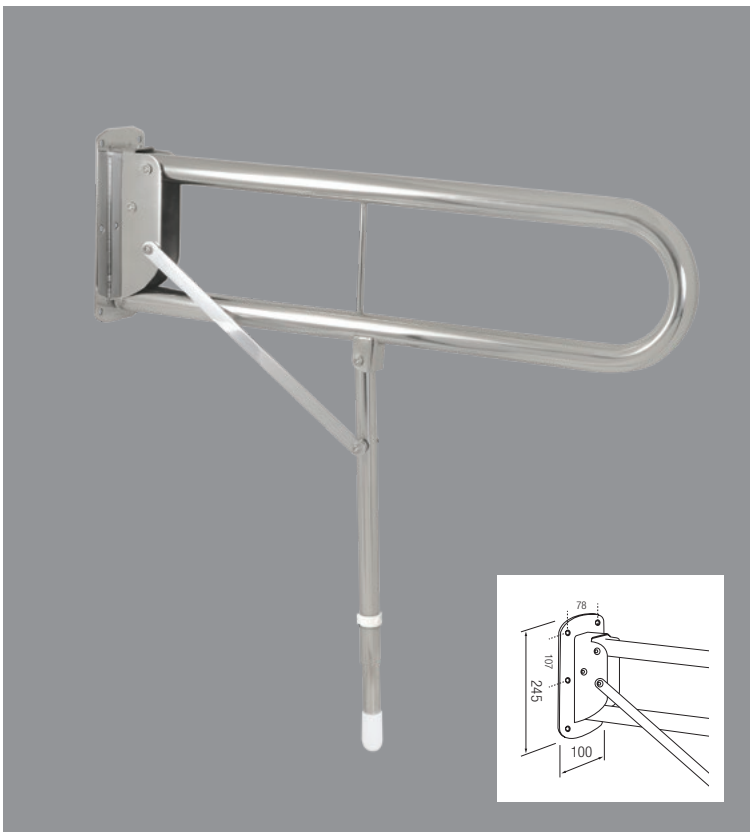
			 Mirror Polish	 Sateen Polish
35mm	SS	500mm	35150	35155
35mm	SS	760mm	35100	35110
35mm	SS	890mm	35092	35093



Double Arm Hinged Support Rail with Toilet Roll Holder

Stainless Steel

# Double Arm Hinged Support Rails



## Aluminium Backplate

### Stainless Steel

- Stainless Steel for use in wet or damp areas.
- Hinged rails are tested to 170kg in vertical and 45 degree positions.
- Die-cast Aluminium Backplate for strength and rigidity.

- Available in mirror polished or sateen polished finishes.
- Backplate is silver polyester coated RAL 9006.
- Backplate bolt holes are drilled for M8 Bolts. (Fixings not supplied)



Mirror Polish



Sateen Polish

35mm	SS	760mm	35056	35041
------	----	-------	-------	-------

### + with Toilet Roll Holder

35mm	SS	760mm	35235	35236
------	----	-------	-------	-------

### + Ribbed Grip

Double Arm Hinged Rails can be manufactured with a ribbed grip. **Please add an 'R' to the end of the product code.** Please note ribbed grips are not recommended for wet environments.

## Stainless Steel Backplate

### Stainless Steel

- Stainless Steel for use in wet or damp areas.
- Hinged rails are tested to 170kg in vertical and 45 degree positions.
- Fully Stainless Steel Backplate for ultimate durability.

- Available in mirror polished or sateen polished finishes.
- Backplate bolt holes are drilled for M8 Bolts. (Fixings not supplied)



Mirror Polish



Sateen Polish

35mm	SS	760mm	35057W	35237
------	----	-------	--------	-------

### + with Toilet Roll Holder

35mm	SS	760mm	35238	35239
------	----	-------	-------	-------

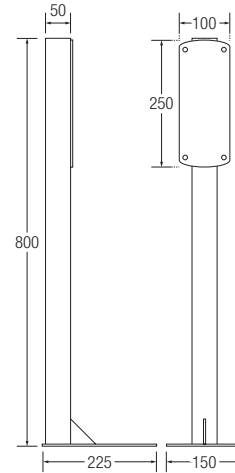
# Free Standing Support



Mild Steel

Stainless Steel

- For use where wall strength is not sufficient to take a Hinged Support Rail.
- The backplate is set for a support rail height of 750mm.
- Baseplate is drilled with 10mm counter-sunk holes. (Fixings not supplied)
- Different heights can be manufactured upon request.



## Free Standing Support



White



Blue - RAL 5011



RAL Colour



Mirror Polish



Sateen Polish

MS	800mm	34830	34831	34832	NA	NA
SS	800mm	35280	35281	35282	35283	35284



# Baby Changer

Stainless Steel

- 850mm x 500mm
- Adjustable straps for securing infant and handy tray.
- Will fold and slot into place in the upright position
- Load tested to 170kg.
- Stainless Steel frame with aluminium backplates and plastic tray.
- Frame and backplates can be manufactured in coloured polyester finishes on request. Please specify the RAL colour you require when ordering. (Plastic tray is white in all cases)

White Polyester

50000

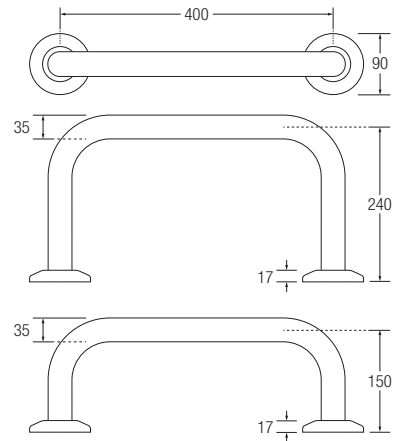
# Mild Steel and Stainless Steel Backrest Rails



35mm Mild Steel Stainless Steel

Concealed Fix

- Stainless Steel for use in wet or damp areas. Mild Steel for use in dry areas.
- 35mm tube diameter for superior strength and confidence.
- Strong tubular construction with robust welded flanges for lasting strength and performance.
- Available in polyester coated, chrome plated, mirror polished and sateen polished finishes. Please specify the RAL colour you require when ordering colours.
- Fixing holes to fit size 8 screws. (Fixings not supplied)



## Projection Shower Seat

The 150mm backrest rail is designed to be used with the 650mm projection shower seat.

Turn to page 68

## 35mm Backrest Rail



White



Blue RAL 5011



RAL Colour



Mirror Polish



Sateen Polish

35mm	MS	400mm x 150mm	48755C	48760C	48765C	NA	NA
35mm	MS	400mm x 240mm	48605C	48606C	48609C	NA	NA
35mm	SS	400mm x 150mm	49060C	49065C	49070C	49050C	49055C
35mm	SS	400mm x 240mm	49200C	49210C	49220C	49100C	49110C

## Backrest Cushion



White



Blue RAL 5011

FOAM CUSHION	49702	49703
--------------	-------	-------

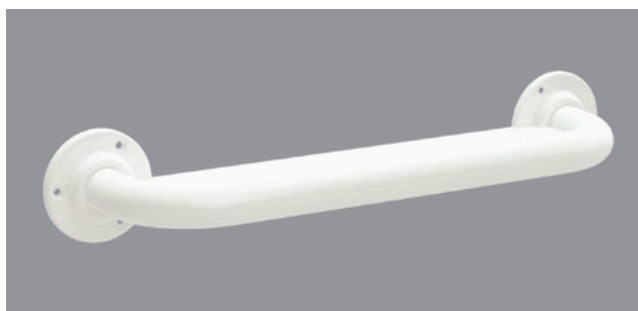
- Water resistant foam.
- 365mm x 160mm x 50mm.
- Available in White or Blue RAL 5011.



Cushions are fixed onto the backrest rail using two bolt on brackets supplied.

# Stainless Steel Anti Ligature

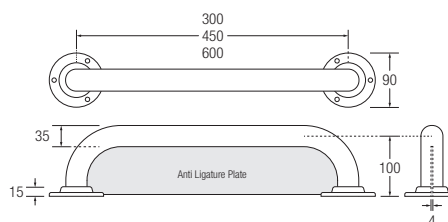
35



## 35mm Grab Rail

- Inner area filled with steel plate.
- Stainless Steel for use in wet or damp areas.
- Available in polyester coated finish only. Please specify the RAL colour you require when ordering colours.
- Fixing holes to fit size 8 screws. (Fixings not supplied).

			○ White	● RAL Colour
35mm	SS	300mm	30700AL	31270AL
35mm	SS	450mm	30800AL	31271AL
35mm	SS	600mm	31000AL	31272AL

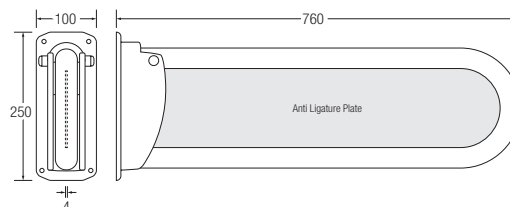
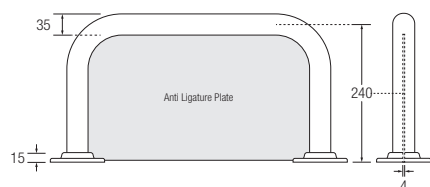


## 35mm Backrest Rail

			○ White	● RAL Colour
35mm	SS	240mm	49200AL	49220AL

## Double Arm Hinged Support Rail

			○ White	● RAL Colour
35mm	SS	760mm	35000AL	35030AL



- Inner area filled with steel plate.
- Stainless Steel for use in wet or damp areas.
- Available in polyester coated finish only. Please specify the RAL colour you require when ordering colours.
- Fixing holes to fit size 8 screws. (Fixings not supplied)

- Inner area filled with steel plate.
- Stainless Steel for use in wet or damp areas.
- Hinged rails are tested to 170kg in vertical and 45 degree positions.
- Die-cast Aluminium Backplate for strength and rigidity.
- Available in polyester coated finish only. Please specify the RAL colour you require when ordering colours.
- Backplate bolt holes are drilled for M8 Bolts. (Fixings not supplied)

# Mild Steel and Stainless Steel L Shaped Curtain Rails

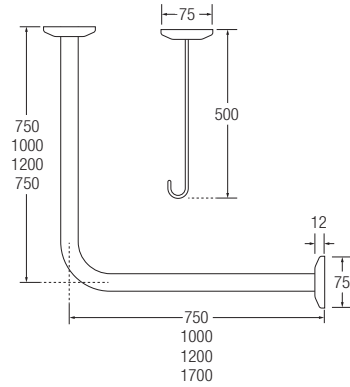
25



Curtain Rail shown with optional Ceiling Stay

## 25mm Curtain Rail

		<input type="radio"/> White <input type="radio"/> Chrome Plate		
25mm	MS	750mm x 750mm	65700C	65400C
25mm	MS	1000mm x 1000mm	65900C	65600C
25mm	MS	1200mm x 1200mm	65905C	65610C
25mm	MS	750mm x 1700mm	65800C	65500C



## 25mm Curtain Rail for Showers

		<input type="radio"/> White <input type="radio"/> Mirror Polish <input type="radio"/> Sateen Polish			
25mm	SS	750mm x 750mm	65940C	65910C	65936C
25mm	SS	1000mm x 1000mm	65960C	65930C	65938C
25mm	SS	1200mm x 1200mm	65962C	65935C	65939C
25mm	SS	750mm x 1700mm	65950C	65920C	65937C

25mm Mild Steel Stainless Steel

Concealed Fix

- We recommend that only stainless steel curtain rails be used in wet or damp areas. Mild Steel for use in dry areas.
- Curtain Rails are modular and are joined using black connectors to aid delivery and installation (Chrome Plate has two connectors, other finishes have one). Smaller sizes can be manufactured as a single piece on request.
- Curtain Rails can be manufactured to customer specification. Price on application.
- Ceiling stays are recommended on larger sizes and in shower scenarios.
- Ceiling Stays are 500mm but can be manufactured to customer specification. Price on application.
- Fixing holes to fit size 8 screws. (Fixings not supplied)

## Ceiling Stay

		<input type="radio"/> White <input type="radio"/> Mirror Polish <input type="radio"/> Sateen Polish		
SS	500mm	66120C	66110C	66115C

# Mild Steel and Stainless Steel Straight Curtain Rails

## 25mm Curtain Rail

		White	Chrome Plate	Mirror Polish	Sateen Polish
25mm	MS	to Customer Spec.	On Req.	On Req.	NA
25mm	SS	to Customer Spec.	On Req.	NA	On Req.



25mm	Mild Steel	Stainless Steel
------	------------	-----------------

Concealed Fix

- We recommend that only stainless steel curtain rails be used in wet or damp areas. Mild Steel for use in dry areas.
- Straight Curtain Rails are manufactured to customer specification. Price on application.
- Fixing holes to fit size 8 screws. (Fixings not supplied)



## Curtains and Hooks



Brass  
Curtain Hook

25mm	
Chrome Plate	66200
35mm	
Chrome Plate	66210



Plastic  
Curtain Hook

25mm - 35mm	
White Plastic	66180

- Curtain hooks are designed to be used with 25mm and 35mm tube.

## Curtain

Drop x Width	White Polyester (weighted)	White Satin Plastic
1830mm x 914mm	65380	65350
1830mm x 1830mm	65390	65360
2100mm x 1830mm	65397	NA

- 914mm curtains require 6 hooks.
- 1830mm satin plastic curtains require 10 hooks.
- 1830mm polyester curtains require 12 hooks.
- Please note, curtain hooks are not included and must be ordered separately.
- Suitable for wet or dry areas.

## ESSENTIAL

### Grab Rails

25mm Straight Grab Rails	49
35mm Straight Grab Rails	50
25mm/35mm Cranked Grab Rails	51
3 Flange Cranked Grab Rails	52
L Shaped Grab Rails	53
Wall to Floor Grab Rails	54
3 Flange Straight Grab Rails	55
Corner Rails	56
Grab Toilet Roll Holders	57
Grab Poles	58
Flat End Grab Rails	60
Newell Rails	60
Plastic Grab Rails	61

### Hinged Support Rails

Single Arm Supports	62
Free Standing Supports	62
Double Arm Supports	63
Backrest Rails	64
Backrest Cushions	64
WC Support Rails	65

### Shower Environment Products

Curtain Rails	66
Curtains and Hooks	67

Sometimes you just need the simplest solution, you'll find these in our Essential range.

If you are looking for compliant products that meet tough cost targets you'll find these in our Essential range. These products meet all UK quality standards so you can rely on them to meet your customers' requirements. These products will be used in installations where cost and functionality are the primary drivers.

Our Essential products have exposed fix flanges and mounting plates which are robust and functional. For concealed fix products which provide improved visual appearance please refer to our Professional range.



### 1 YEAR STANDARD WARRANTY

Bathex offer a minimum 1 Year Warranty\* on all products.

### 3 YEAR STAINLESS WARRANTY

Bathex offer an enhanced 3 Year Warranty\* on all Stainless Steel products.

\* See warranty terms on page 89.



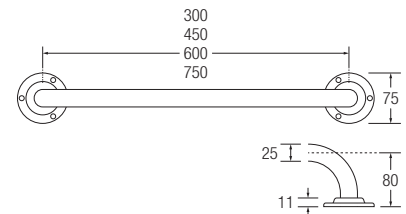
# Mild Steel and Stainless Steel Straight Grab Rails

25



25mm Mild Steel Stainless Steel

- Mild Steel for use in dry areas.  
Stainless Steel for use in wet or damp areas.
- Available in polyester coated and chrome plated finishes. Please specify the RAL colour you require when ordering colours.
- Fixing holes to fit size 8 screws.  
(Fixings not supplied)



## 25mm Straight Grab Rail

			White	Blue RAL 5011	RAL Colour	Chrome Plate	Mirror Polish	Sateen Polish
25mm	MS	300mm	15100	15402	On Req.	13000	NA	NA
25mm	MS	450mm	15300	15403	On Req.	13200	NA	NA
25mm	MS	600mm	15400	15404	On Req.	13300	NA	NA
25mm	MS	750mm	15401	15405	On Req.	13400	NA	NA
25mm	SS	300mm	29325	29320	On Req.	NA	29100	29304
25mm	SS	450mm	29350	29321	On Req.	NA	29200	29306
25mm	SS	600mm	29400	29322	On Req.	NA	29300	29308
25mm	SS	750mm	29450	29323	On Req.	NA	29301	29309



### Ribbed Grip

Straight Grab Rails can be manufactured with a ribbed grip. **Please add an 'R' to the end of the product code.** Please note ribbed grips are not recommended for wet environments.



### Concealed Fixings

Straight Grab Rails with concealed fixings are available as part of our Professional range.

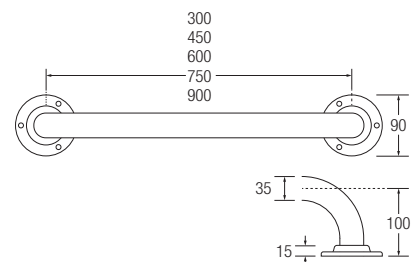
[Turn to page 27](#)

# Mild Steel and Stainless Steel Straight Grab Rails



35mm    Mild Steel    Stainless Steel

- Mild steel for use in dry areas. Stainless Steel for use in wet or damp areas.
- 35mm tube diameter for superior strength and confidence.
- Available in polyester coated and chrome plated finishes. Please specify the RAL colour you require when ordering colours.
- Fixing holes to fit size 8 screws. (Fixings not supplied)



## 35mm Straight Grab Rail

			White	Blue RAL 5011	RAL Colour	Chrome Plate	Mirror Polish	Sateen Polish
35mm	MS	300mm	21800	21801	21805	21400	NA	NA
35mm	MS	450mm	21900	21901	21905	21500	NA	NA
35mm	MS	600mm	22000	22001	22005	21600	NA	NA
35mm	MS	750mm	22100	22101	22102	21700	NA	NA
35mm	MS	900mm	22110	22111	22112	21750	NA	NA
<hr/>								
35mm	SS	300mm	30700	31260	31270	NA	29500	30050
35mm	SS	450mm	30800	31261	31271	NA	29600	30055
35mm	SS	600mm	31000	31262	31272	NA	29800	30060
35mm	SS	750mm	31100	31263	31273	NA	29900	30065
35mm	SS	900mm	31200	31264	31274	NA	30000	30070



### Ribbed Grip

Straight Grab Rails can be manufactured with a ribbed grip. **Please add an 'R' to the end of the product code.** Please note ribbed grips are not recommended for wet environments.



### Concealed Fixings

Straight Grab Rails with concealed fixings are available as part of our Professional range.

Turn to page 28

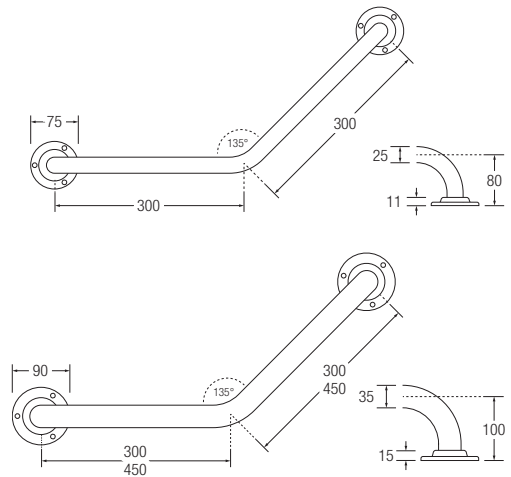
# Mild Steel and Stainless Steel Cranked Grab Rails

25 35



25mm 35mm  
Mild Steel Stainless Steel

- Creates a more natural angle for the hand, enabling easier movement. Reversible, not handed.
- Mild Steel for use in dry areas. Stainless Steel for use in wet or damp areas.
- Available in polyester coated, chrome plated, mirror polished and sateen polished finishes. Please specify the RAL colour you require when ordering colours.
- Fixing holes to fit size 8 screws. (Fixings not supplied)



## 25mm Cranked Grab Rail

White Blue RAL 5011 RAL Colour Mirror Polish Sateen Polish

25mm	MS	300mm x 300mm	17650	On Req.	17655	NA	NA
25mm	SS	300mm x 300mm	32200	On Req.	32205	32240	32250

## 35mm Cranked Grab Rail

White Blue RAL 5011 RAL Colour Mirror Polish Sateen Polish

35mm	MS	300mm x 300mm	24805	On Req.	25200	NA	NA
35mm	MS	450mm x 450mm	27100	On Req.	27120	NA	NA
35mm	SS	300mm x 300mm	32500	On Req.	32590	32300	32350
35mm	SS	450mm x 450mm	27150	On Req.	27170	27180	27190



### Ribbed Grip

Cranked Grab Rails can be manufactured with a ribbed grip. **Please add an 'R' to the end of the product code.** Please note ribbed grips are not recommended for wet environments.



### Concealed Fixings

Cranked Grab Rails with concealed fixings are available as part of our Professional range.

Turn to page 29

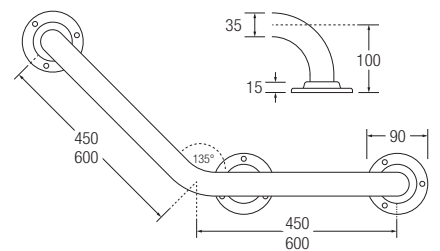
# Mild Steel and Stainless Steel 3 Flange Cranked Grab Rails



Left Hand  
3 Flange Cranked  
Grab Rails

35mm	Left Hand	Right Hand
Mild Steel	Stainless Steel	

- Creates a more natural angle for the hand, enabling easier movement.
- Additional flange for added strength and larger sizes.
- Mild Steel for use in dry areas.  
Stainless Steel for use in wet or damp areas.
- Available in polyester coated, mirror polished and sateen polished finishes. Please specify the RAL colour you require when ordering colours.
- Fixing holes to fit size 8 screws.  
(Fixings not supplied)



## 35mm 3 Flange Cranked Grab Rail - Left Hand

White	Blue RAL 5011	RAL Colour	Mirror Polish	Sateen Polish

35mm	MS	450mm x 450mm	42720	42725	42726	NA	NA
35mm	MS	600mm x 600mm	42820	42825	42826	NA	NA
35mm	SS	450mm x 450mm	42760	42765	42766	42770	42775
35mm	SS	600mm x 600mm	42860	42865	42866	42870	42875

## 35mm 3 Flange Cranked Grab Rail - Right Hand

White	Blue RAL 5011	RAL Colour	Mirror Polish	Sateen Polish

35mm	MS	450mm x 450mm	42730	42735	42736	NA	NA
35mm	MS	600mm x 600mm	42830	42835	42836	NA	NA
35mm	SS	450mm x 450mm	42780	42785	42786	42790	42795
35mm	SS	600mm x 600mm	42880	42885	42886	42890	42895



### Ribbed Grip

3 Flange Cranked Grab Rails can be manufactured with a ribbed grip. **Please add an 'R' to the end of the product code.** Please note ribbed grips are not recommended for wet environments.



### Concealed Fixings

3 Flange Cranked Grab Rails with concealed fixings are available as part of our Professional range.

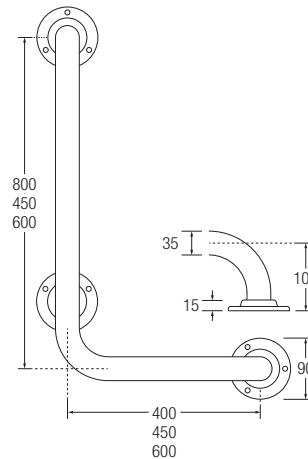
**Turn to page 30**

# Mild Steel and Stainless Steel L Shaped Rails



35mm    Left Hand    Right Hand

Mild Steel    Stainless Steel



- Mild Steel for use in dry areas. Stainless Steel for use in wet or damp areas.
- Available in polyester coated, chrome plated, mirror polished and sateen polished finishes. Please specify the RAL colour you require when ordering colours.
- Bespoke sizes available on request.
- Fixing holes to fit size 8 screws. (Fixings not supplied)

## 35mm L Shaped Rail - Left Hand

		White	Blue RAL 5011	RAL Colour	Mirror Polish	Sateen Polish	
35mm	MS	400mm x 800mm	39520	39523	39524	NA	NA
35mm	MS	450mm x 450mm	39620	39623	39624	NA	NA
35mm	MS	600mm x 600mm	39720	39723	39724	NA	NA
35mm	SS	400mm x 800mm	39580	39581	39582	39565	39564
35mm	SS	450mm x 450mm	39680	39681	39682	39665	39664
35mm	SS	600mm x 600mm	39780	39781	39782	39765	39764



### Ribbed Grip

L Shaped Grab Rails can be manufactured with a ribbed grip. **Please add an 'R' to the end of the product code.** Please note ribbed grips are not recommended for wet environments.



### Concealed Fixings

L Shaped Grab Rails with concealed fixings are available as part of our Professional range.

[Turn to page 31](#)

## 35mm L Shaped Rail - Right Hand

		White	Blue RAL 5011	RAL Colour	Mirror Polish	Sateen Polish	
35mm	MS	400mm x 800mm	39550	39551	39552	NA	NA
35mm	MS	450mm x 450mm	39650	39651	39652	NA	NA
35mm	MS	600mm x 600mm	39750	39751	39752	NA	NA
35mm	SS	400mm x 800mm	39575	39572	39573	39570	39569
35mm	SS	450mm x 450mm	39675	39672	39673	39670	39669
35mm	SS	600mm x 600mm	39775	39772	39773	39770	39769

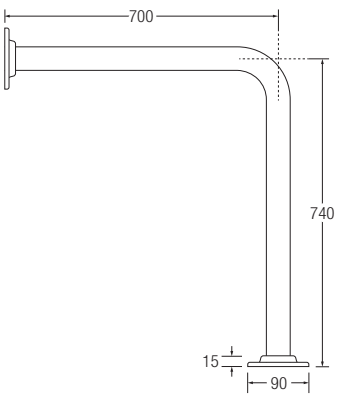
# Mild Steel and Stainless Steel Wall to Floor Grab Rails

35



35mm  
Mild Steel    Stainless Steel

- Mild Steel for use in dry areas. Stainless Steel for use in wet or damp areas.
- Available in polyester coated, mirror polished and sateen polished finishes. Please specify the RAL colour you require when ordering colours.
- Bespoke sizes available on request.
- Fixing holes to fit size 8 screws. (Fixings not supplied)



## 35mm Wall to Floor Grab Rail

			White	Blue RAL 5011	RAL Colour	Mirror Polish	Sateen Polish
35mm	MS	740mm x 700mm	37300	37301	37302	NA	NA
35mm	SS	740mm x 700mm	38100	38101	38102	37900	37910

**+**  
Ribbed Grip

Wall to Floor Grab Rails can be manufactured with a ribbed grip. **Please add an 'R' to the end of the product code.** Please note ribbed grips are not recommended for wet environments.

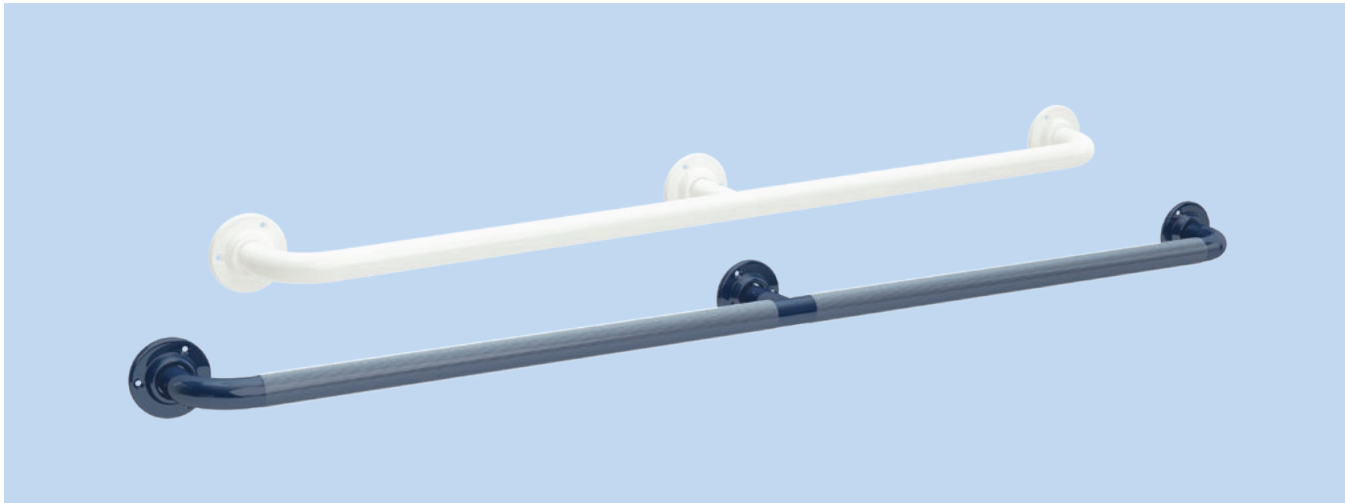
**+**  
Concealed Fixings

Wall to Floor Grab Rails with concealed fixings are available as part of our Professional range.

**Turn to page 32**

# Mild Steel and Stainless Steel 3 Flange Grab Rails

35



## 35mm 3 Flange Grab Rail

- White
- Blue RAL 5011
- RAL Colour
- Mirror Polish
- Sateen Polish

35mm	MS	1200mm	42530	On Req.	42535	NA	NA
35mm	MS	1500mm	42570	On Req.	42575	NA	NA
35mm	SS	1200mm	41200	On Req.	41300	40800	40900
35mm	SS	1500mm	42300	On Req.	42310	42200	42210
35mm	SS	1750mm	42655	42656	42657	42640	42642

35mm

Mild Steel

Stainless Steel

- Mild Steel for use in dry areas. Stainless Steel for use in wet or damp areas.
- Available in polyester coated, chrome plated, mirror polished and sateen polished finishes. Please specify the RAL colour you require when ordering colours.
- Fixing holes to fit size 8 screws. (Fixings not supplied)

+

### Ribbed Grip

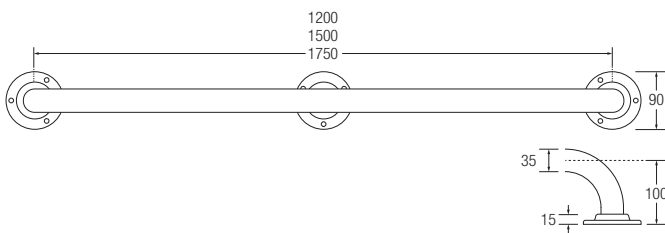
3 Flange Grab Rails can be manufactured with a ribbed grip. **Please add an 'R' to the end of the product code.** Please note ribbed grips are not recommended for wet environments.

+

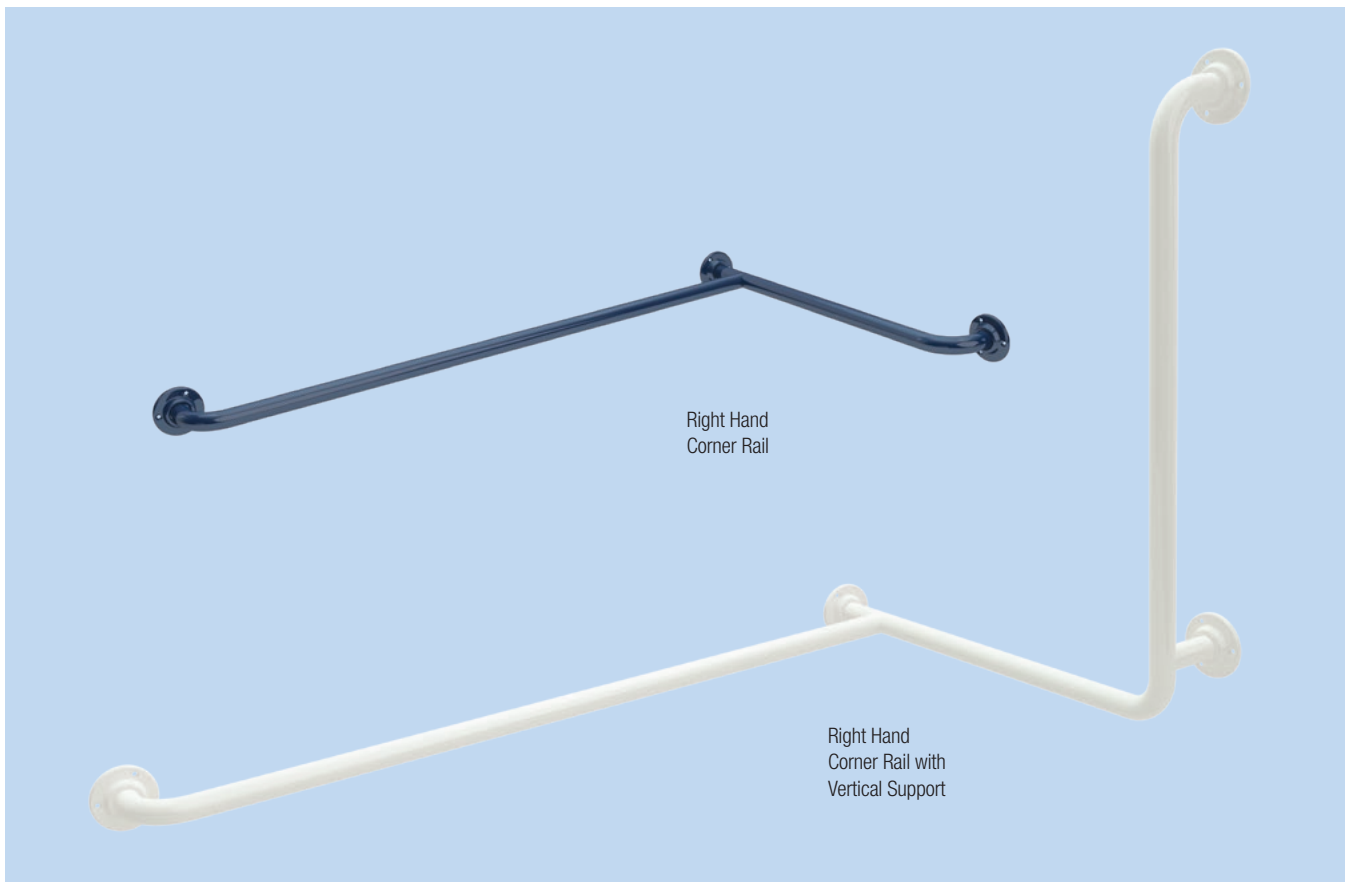
### Concealed Fixings

3 Flange Grab Rails with concealed fixings are available as part of our Professional range.





Turn to page 33

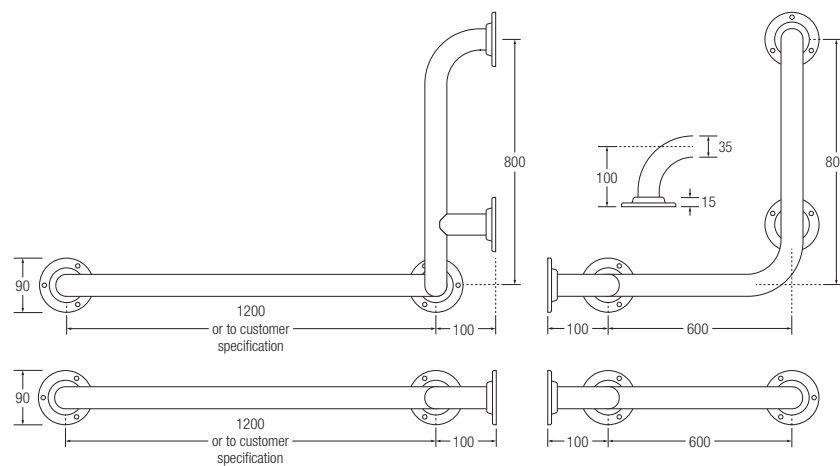


# Stainless Steel Corner Rails



## 35mm Corner Rail

			 White	 RAL Colour	 Mirror Polish	 Sateen Polish
35mm	SS	No Vertical Support	43570	43575	43550	43552
35mm	SS	Vertical Support	43530	43535	43510	43512



35mm    Stainless Steel

Left Hand    Right Hand

- This product is usually made to customer specifications. Please call to discuss your requirements.
- Can be manufactured left or right hand.
- Stainless Steel for use in wet or damp areas.
- Available in polyester coated, mirror polished and sateen polished finishes. Please specify the RAL colour you require when ordering colours.
- Fixing holes to fit size 8 screws. (Fixings not supplied)

**+**  
Ribbed Grip

Corner Rails can be manufactured with a ribbed grip. **Please add an 'R' to the end of the product code.**

**+**  
Concealed Fixings

Corner Rails with concealed fixings are available as part of our Professional range.

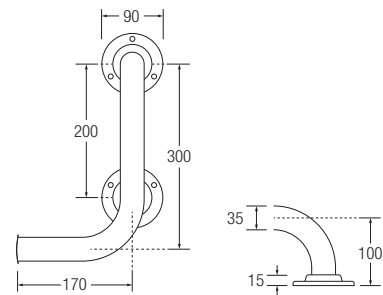
**Turn to page 34**

# Mild Steel and Stainless Steel Grab Toilet Roll Holders



35mm	Left Hand	Right Hand
Mild Steel	Stainless Steel	

- Ideal for situations with restricted space.
- Left or right hand.
- Stainless Steel for use in wet or damp areas. Mild Steel for use in dry areas.
- Available in polyester coated, mirror polished and sateen polished finishes. Please specify the RAL colour you require when ordering colours.
- Fixing holes to fit size 8 screws. (Fixings not supplied)



## 35mm Grab Toilet Roll Holder - Left Hand

			White	RAL Colour	Mirror Polish	Sateen Polish
35mm	MS	300mm	31405	31425	NA	NA
35mm	SS	300mm	31505	31525	31555	31565

## 35mm Grab Toilet Roll Holder - Right Hand

			White	RAL Colour	Mirror Polish	Sateen Polish
35mm	MS	300mm	31400	31420	NA	NA
35mm	SS	300mm	31500	31520	31550	31560



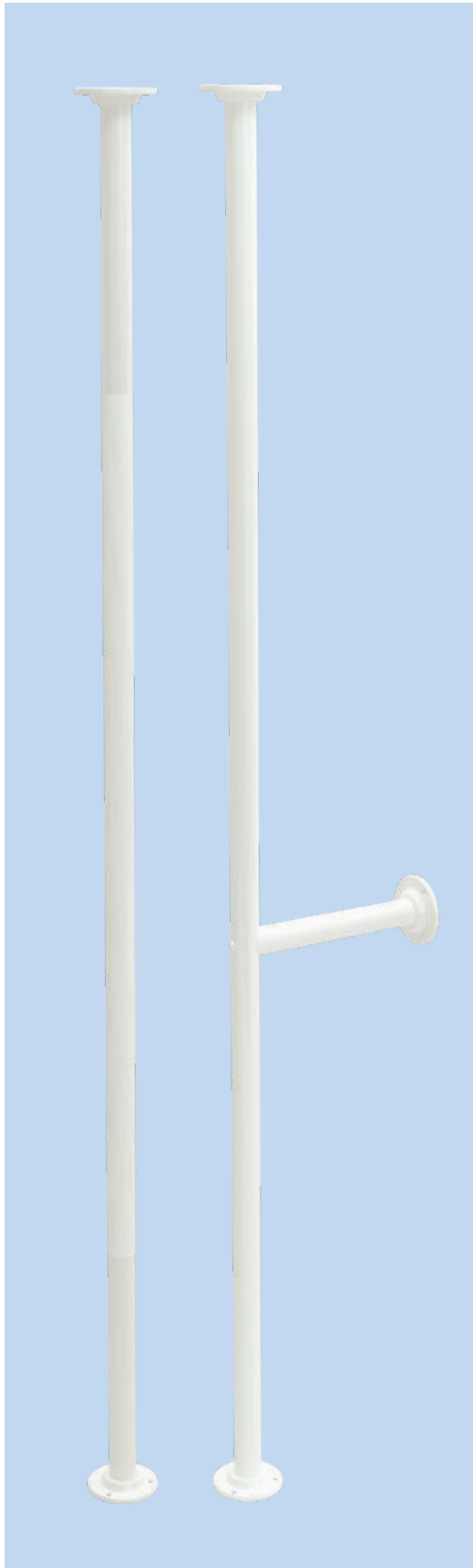
### Concealed Fixings

Grab Toilet Roll Holders with concealed fixings are available as part of our Professional range.

[Turn to page 35](#)

# Mild Steel Grab Poles

35



## 35mm Grab Pole



White

35mm	MS	2438mm	45410
35mm	MS	2743mm	46010

### + Part Rib Grip

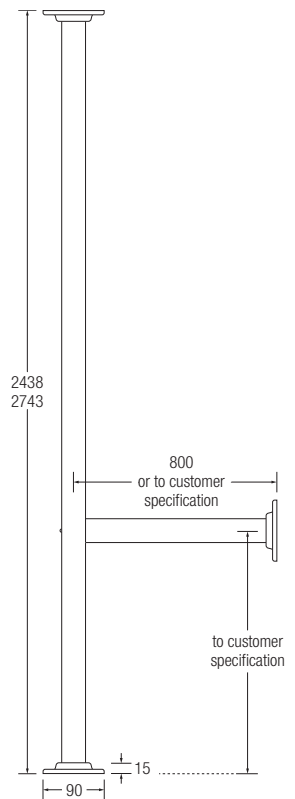
35mm	MS	2438mm	45610
35mm	MS	2743mm	46210

### + Full Rib Grip

35mm	MS	2438mm	45850
35mm	MS	2743mm	46450

35mm Mild Steel

- Mild Steel for use in dry areas.
- Optional ribbed grip for extra stability and confidence.
- Available in white polyester coated finish. Colours available on request.
- Fixing holes to fit size 8 screws. (Fixings not supplied)
- Supplied with a loose top flange to enable the pole to be cut to length.



## 35mm Grab Pole with Cross Rail



White

35mm	MS	2438mm	45310
35mm	MS	2743mm	45330

### + Part Rib Grip

35mm	MS	2438mm	45320
35mm	MS	2743mm	45340



### Concealed Fixings

Grab Poles with concealed fixings are available as part of our Professional range.

Turn to page 36

# Stainless Steel Grab Poles

35



35mm Stainless Steel

Stainless Steel for use in wet or damp areas.

- 35mm tube diameter for superior strength and confidence.
- Strong tubular construction with robust welded flanges for lasting strength and performance.

- Optional ribbed grip for extra stability and confidence.
- Available in white polyester coated, mirror polished and sateen polished finishes. Colours available on request.
- Fixing holes to fit size 8 screws. (Fixings not supplied)
- Supplied with a loose top flange to enable the pole to be cut to length.

## 35mm Grab Pole



White



Mirror Polish



Sateen Polish

35mm	SS	2438mm	47720	47710	47715
35mm	SS	2743mm	48140	48120	48125

### + Part Ribbed Grip

35mm	SS	2438mm	47740	47730	47735
35mm	SS	2743mm	48180	48160	48165

### + Full Ribbed Grip

35mm	SS	2438mm	45346	45345	On Req.
35mm	SS	2743mm	45356	45355	On Req.

## 35mm Grab Pole with Cross Rail



White



Mirror Polish



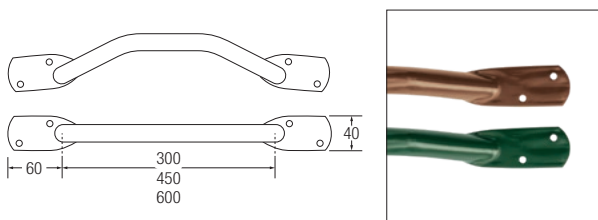
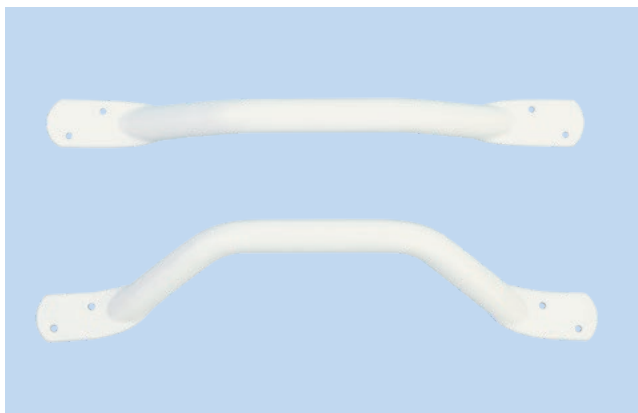
Sateen Polish

35mm	SS	2438mm	45350	45360	45365
35mm	SS	2743mm	45370	45380	45385

### + Part Ribbed Grip

35mm	SS	2438mm	45352	45362	45367
35mm	SS	2743mm	45372	45382	45387

# Mild Steel Flat End Grab Rails



25mm Mild Steel

- Mild Steel for use in dry areas.
- Available in white LDPE (dipped plastic coating). Please specify the RAL colour you require when ordering colours.
- Fixing holes to fit size 8 screws.(Fixings not supplied)

○ White      ● RAL Colour

Straight				
25mm	MS	300mm	12100	12105U
25mm	MS	450mm	12200	12205U
25mm	MS	600mm	12300	12305U
Offset				
25mm	MS	300mm	12700	12705U
25mm	MS	450mm	12800	12805U

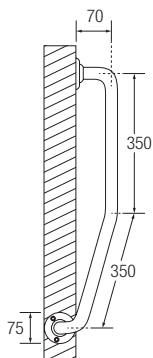
# Mild Steel Newell Rails

25mm Mild Steel Left Hand Right Hand

- Mild Steel for use in dry areas.
- Available in white polyester coated finish. Colours available on request.
- Fixing holes to fit size 8 screws. (Fixings not supplied)

○ White

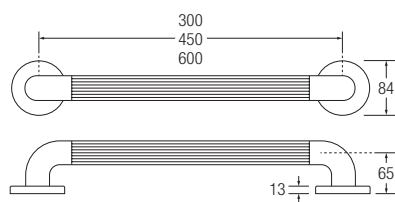
Left Hand Newell Rail			
25mm	MS	350mm	43700
Right Hand Newell Rail			
25mm	MS	350mm	43900



Left Hand Newell Rail

# 35mm Plastic Grab Rails

35



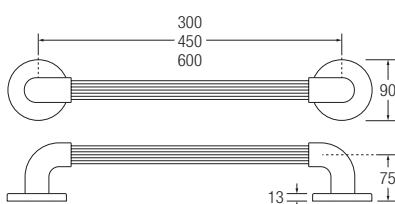
## Fluted Plastic Grab Rail

35mm Plastic

- Fluted Plastic grab rail.
- Concealed fixings.
- Available in white or Blue RAL 5011 only.
- Fixing holes to fit size 8 screws. (Fixings not supplied)

○ White      ● Blue RAL 5011

35mm	300mm	32640	32635
35mm	450mm	32650	32636
35mm	600mm	32660	32637



## Inserted Fluted Plastic Grab Rail

35mm Plastic

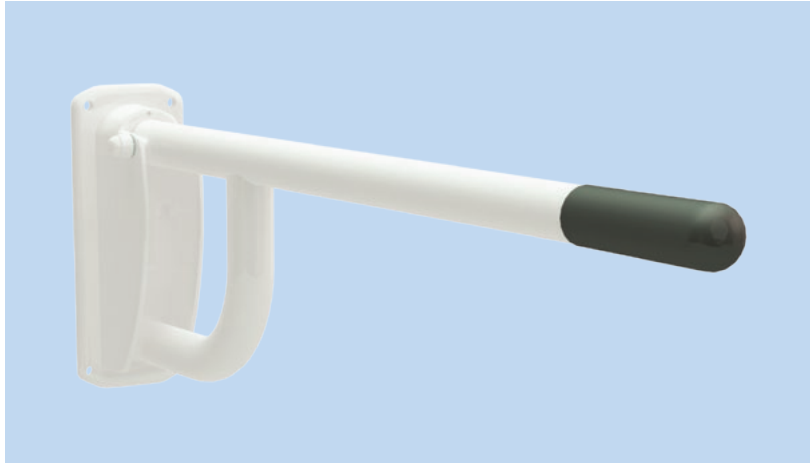
- Inserted fluted plastic grab rail.
- Concealed fixings.
- Available in white only.
- Fixing holes to fit size 8 screws. (Fixings not supplied)

○ White

35mm	300mm	32670
35mm	450mm	32680
35mm	600mm	32690

Mild Steel and Stainless Steel

## Single Arm Hinged Support Rails



Mild Steel

Stainless Steel

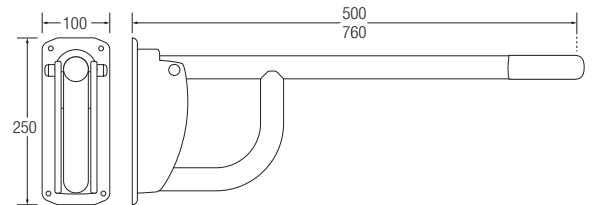
- Stainless Steel for use in wet or damp areas. Mild Steel for use in dry areas.
- 35mm tubular construction for superior strength and confidence.
- Hinged rails are tested to 170kg in vertical and 45 degree positions.
- Die-cast Aluminium Backplate for strength and rigidity.
- Available in polyester coated finish. Please specify the RAL colour you require when ordering colours.
- Backplate bolt holes are drilled for M8 Bolts. (Fixings not supplied)



## Drop Down Leg

Hinged Rails with drop down legs are available as part of our Professional range.

[Turn to page 38](#)



Single Arm Hinged Support Rail with Toilet Roll Holder

## Single Arm Hinged Support Rail



White



Blue RAL 5011



RAL Colour

35mm	MS	500mm	33400	On Req.	On Req.
35mm	MS	760mm	33300	33410	33420
35mm	SS	500mm	33650	On Req.	On Req.
35mm	SS	760mm	33645	33652	33653

## + with Toilet Roll Holder



White



Blue RAL 5011



RAL Colour

35mm	MS	500mm	33630	On Req.	On Req.
35mm	MS	760mm	33625	33632	33633
35mm	SS	500mm	33690	On Req.	On Req.
35mm	SS	760mm	33680	33691	33692

## Free Standing Support



White



Blue RAL 5011



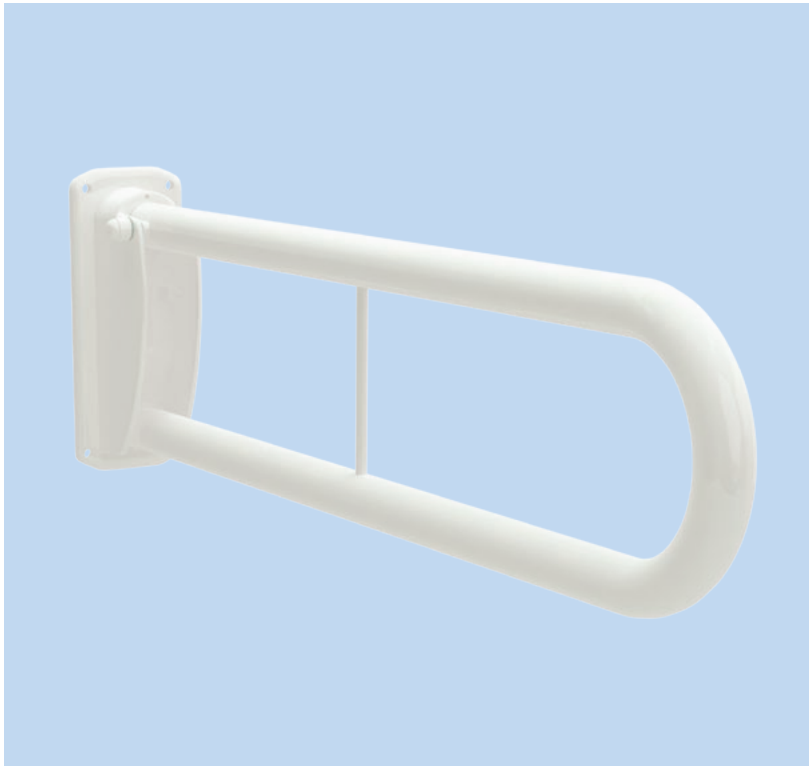
RAL Colour

MS	800mm	34830	34831	34832
SS	800mm	35280	35281	35282



- For use where wall strength is not sufficient to take a Hinged Support Rail.
- The backplate is set for a support rail height of 750mm.
- The baseplate is drilled with 10mm counter-sunk holes. (Fixings not supplied)
- Different heights can be manufactured upon request.
- For more information and dimensions turn to page 43.

# Mild Steel and Stainless Steel Double Arm Hinged Support Rails



Mild Steel    Stainless Steel

- Stainless Steel for use in wet or damp areas. Mild Steel for use in dry areas.
- 35mm tubular construction for superior strength and confidence.
- Hinged rails are tested to 170kg in vertical and 45 degree positions.
- Die-cast Aluminium Backplate for strength and rigidity.
- Available in polyester coated finishes. Please specify the RAL colour you require when ordering colours.
- Backplate bolt holes are drilled for M8 Bolts. (Fixings not supplied)

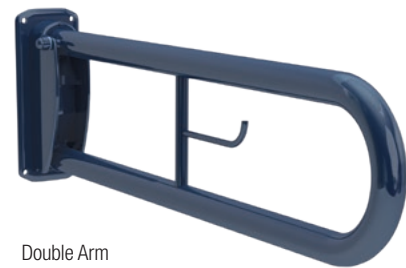
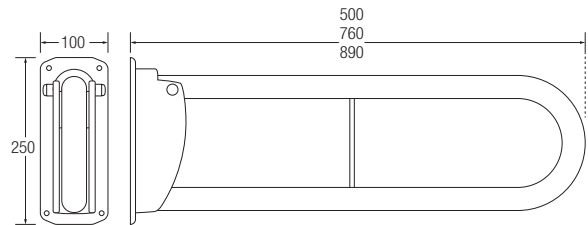


## Ribbed Grip

Double Arm Hinged Rails can be manufactured with a ribbed grip. **Please add an 'R' to the end of the product code.** Please note ribbed grips are not recommended for wet environments.

## Double Arm Hinged Support Rail

		 White	 Blue RAL 5011	 RAL Colour	
35mm	MS	500mm	33850	On Req.	On Req.
35mm	MS	760mm	33800	33801	33804
35mm	MS	890mm	33860	33861	33862
35mm	SS	500mm	35020	On Req.	On Req.
35mm	SS	760mm	35000	35025	35030
35mm	SS	890mm	35036	35037	35035



Double Arm Hinged Support Rail with Toilet Roll Holder



## Drop Down Leg

Hinged Rails with drop down legs are available as part of our Professional range.

Turn to page 39

## + with Toilet Roll Holder

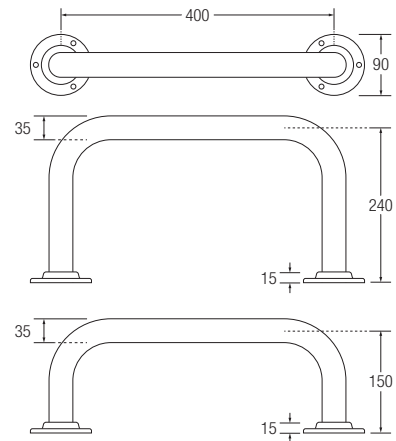
		 White	 Blue RAL 5011	 RAL Colour	
35mm	MS	500mm	34750	On Req.	On Req.
35mm	MS	760mm	34700	34760	34765
35mm	MS	890mm	33864	33865	33863
35mm	SS	500mm	35220	On Req.	On Req.
35mm	SS	760mm	35200	35225	35230
35mm	SS	890mm	35090	35091	35089

# Mild Steel and Stainless Steel Backrest Rails



- 35mm
- Mild Steel
- Stainless Steel

- Stainless Steel for use in wet or damp areas. Mild Steel for use in dry areas.
- 35mm tube diameter for superior strength and confidence.
- Strong tubular construction with robust welded flanges for lasting strength and performance.
- Available in polyester coated, chrome plated, mirror polished and sateen polished finishes. Please specify the RAL colour you require when ordering colours.
- Fixing holes to fit size 8 screws. (Fixings not supplied)



## Projection Shower Seat

The 150mm backrest rail is designed to be used with the 650mm projection shower seat.

Turn to page 68

## 35mm Backrest Rail

- White
- Blue RAL 5011
- RAL Colour
- Chrome Plate
- Mirror Polish
- Sateen Polish

35mm	MS	400mm x 150mm	48755	48760	48765	48750	NA	NA
35mm	MS	400mm x 240mm	48605	48606	48609	48505	NA	NA
35mm	SS	400mm x 150mm	49060	49065	49070	NA	49050	49055
35mm	SS	400mm x 240mm	49200	49210	49220	NA	49100	49110



## Concealed Fixings

Backrests with concealed fixings are available as part of our Professional range.

Turn to page 44

## Backrest Cushion

- White
- Blue RAL 5011

FOAM CUSHION	49702	49703
--------------	-------	-------

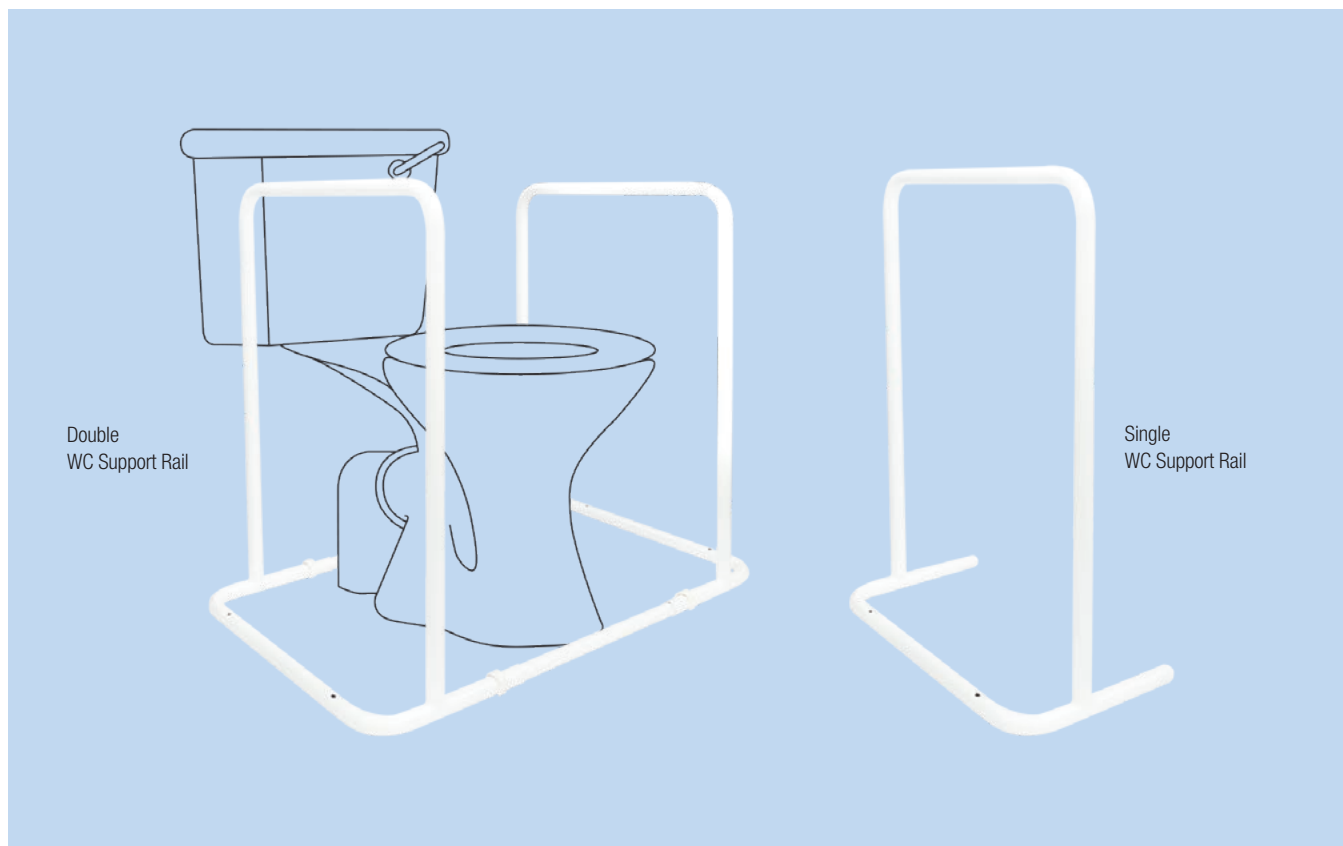
- Water resistant foam.
- 365mm x 160mm x 50mm.
- Available in White or Blue RAL 5011.



Cushions are fixed onto the backrest rail using two bolt on brackets supplied.

# Mild Steel WC Support Rails

25



BATHEX

ESSENTIAL | WC SUPPORT RAILS

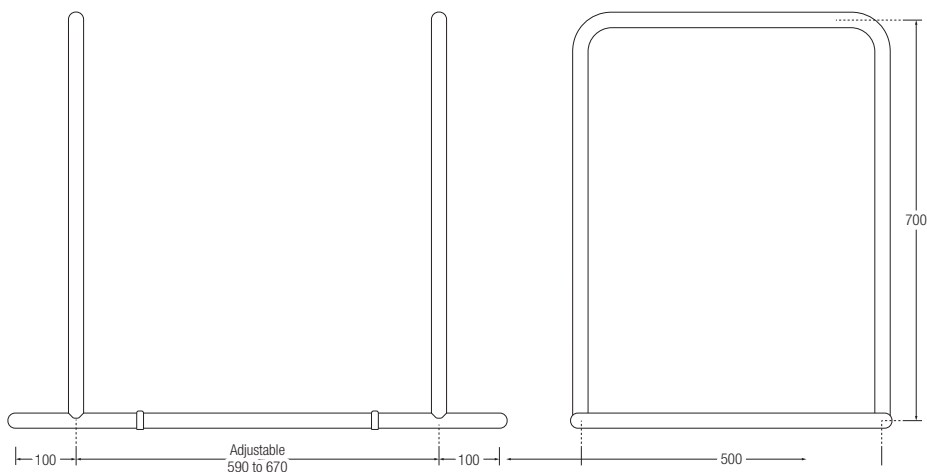
## WC Support Rail

25mm Mild Steel

White
  Blue RAL 5011
  RAL Colour

25mm	MS	Single	65210	65211	65212
25mm	MS	Double	65215	65216	65217

- Mild Steel for use in dry areas.
- Strong tubular construction.
- Available in polyester coated finishes. Please specify the RAL colour you require when ordering colours.
- Fixing holes to fit size 8 screws. (Fixings not supplied)

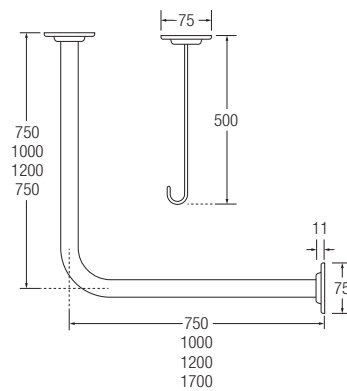


# Mild Steel and Stainless Steel L Shaped Curtain Rails



## 25mm Curtain Rail

			○ White	● Chrome Plate
25mm	MS	750mm x 750mm	65700	65400
25mm	MS	1000mm x 1000mm	65900	65600
25mm	MS	1200mm x 1200mm	65905	65610
25mm	MS	750mm x 1700mm	65800	65500



## 25mm Curtain Rail for Showers

			○ White	● Mirror Polish	● Sateen Polish
25mm	SS	750mm x 750mm	65940	65910	65936
25mm	SS	1000mm x 1000mm	65960	65930	65938
25mm	SS	1200mm x 1200mm	65962	65935	65939
25mm	SS	750mm x 1700mm	65950	65920	65937

## Ceiling Stay





		○ White	● Mirror Polish	● Sateen Polish
SS	500mm	66120	66110	66115

**25mm**   **Mild Steel**   **Stainless Steel**

- We recommend that only stainless steel curtain rails be used in wet or damp areas. Mild Steel for use in dry areas.
- Curtain Rails are modular and are joined using black connectors to aid delivery and installation (Chrome Plate has two connectors, other finishes have one). Smaller sizes can be manufactured as a single piece on request.
- L Shaped Curtain Rails can be manufactured to customer specification. Price on application.
- Ceiling stays are recommended on larger sizes and in shower scenarios.
- Ceiling Stays are 500mm but can be manufactured to customer specification. Price on application.
- Fixing holes to fit size 8 screws. (Fixings not supplied)

# Mild Steel and Stainless Steel Straight Curtain Rails

## 25mm Curtain Rail

			 White	 Chrome Plate	 Mirror Polish	 Sateen Polish
25mm	MS	to Customer Spec.	On Req.	On Req.	NA	NA
25mm	SS	to Customer Spec.	On Req.	NA	On Req.	On Req.

25mm	Mild Steel	Stainless Steel
------	------------	-----------------

- We recommend that only stainless steel curtain rails be used in wet or damp areas. Mild Steel for use in dry areas.
- Straight Curtain Rails are manufactured to customer specification. Price on application.
- Fixing holes to fit size 8 screws. (Fixings not supplied)

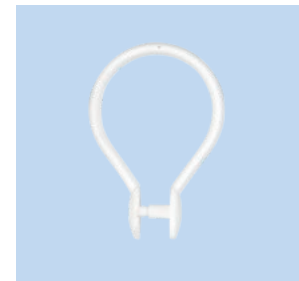


## Curtains and Hooks



Brass  
Curtain Hook

25mm	
Chrome Plate	66200
35mm	
Chrome Plate	66210





Plastic  
Curtain Hook

25mm - 35mm	
White Plastic	66180

- Curtain hooks are designed to be used with 25mm and 35mm tube.

## Curtain

Drop x Width	 White Polyester (weighted)	 White Satin Plastic
1830mm x 914mm	65380	65350
1830mm x 1830mm	65390	65360
2100mm x 1830mm	65397	NA

- 914mm curtains require 6 hooks.
- 1830mm satin plastic curtains require 10 hooks.
- 1830mm polyester curtains require 12 hooks.
- Please note, curtain hooks are not included and must be ordered separately.
- Suitable for wet or dry areas.

# Stainless Steel Shower Seats

Stainless Steel

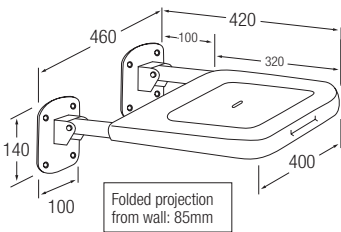
## Friction Shower Seat

**DST**



- Mirror Polish
- Sateen Polish
- White
- RAL Colour

SS	49879	49880	49877	49878
----	-------	-------	-------	-------



- Easy to use friction action.
- Stainless Steel frame and backplates for ultimate durability.
- White seat as standard. Black and Blue RAL 5011 seats also available.

Stainless Steel

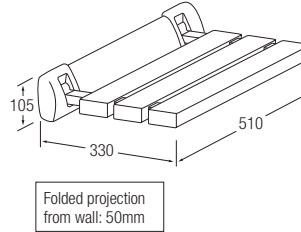
## Teak Wood Slatted Shower Seat

**DST**

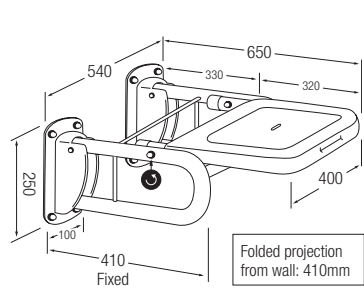


- Mirror Polish

SS	49905
----	-------



- Easy to use friction action.
- Chrome Plated Die-cast Aluminium backplate for strength and durability.
- Teak Wood Slats.
- Can be folded into a fully upright position.
- Load tested to a vertical drop weight of 170kg. This does not include customer fixings.
- Due to the nature of wooden products we are only able to offer a 3 year warranty on this product.



■ Polished Stainless Steel Backplate

Stainless Steel

## 650mm Projection Shower Seat

**PRO**

- White
- Blue RAL 5011
- RAL Colour

Painted Aluminium Backplates			
SS	49860	49870	49875

- Mirror Polish
- Sateen Polish

Polished Stainless Steel Backplates	
SS	49865    49866

- Stainless Steel frame.
- Seat only can be folded into upright position.
- Tested to a vertical drop weight of 170kg. This does not include customer fixings.
- Plastic seat, removable for easy cleaning.
- White seat as standard. Black and Blue RAL 5011 seats also available.
- Backplate bolt holes are drilled for M8 Bolts. (Fixings not supplied)

The 650mm projection shower seat is designed for use with a stainless steel backrest rail.

**Turn to page 44**

# Stainless Steel Shower Seats

Stainless Steel

## Compact Padded Shower Seat

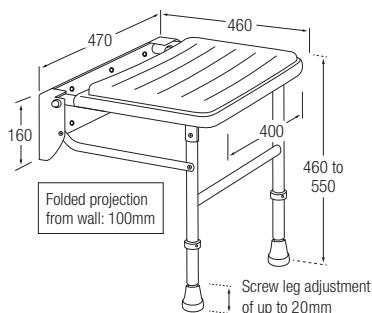


White

With Drop Down Legs

SS 49950

- Adjustable height of 460-550mm (to top of seat) with feet adjustment of up to  $\pm 20$ mm
- Can be folded into the upright position.
- Maximum recommended load 190kg. This does not include customer fixings.
- Padded seat, removable for easy cleaning.
- Backplate bolt holes are drilled for M8 Bolts. (Fixings not supplied)



Stainless Steel

## Padded Shower Seat with Arms and Backrest

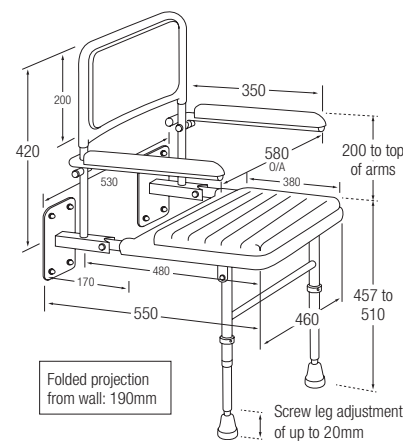


White

With Drop Down Legs

SS 49970

- Adjustable height of 457-510mm (to top of seat) with additional feet adjustment of up to 20mm
- Can be folded into the upright position.
- Tested to a vertical drop weight of 190kg. This does not include customer fixings.
- Grey padded seat, arms and backrest.
- Backplate bolt holes are drilled for M8 Bolts. (Fixings not supplied)



# Stainless Steel Shower Seats

Stainless Steel

## Slotting Action Shower Seat



White



Blue RAL 5011



RAL Colour

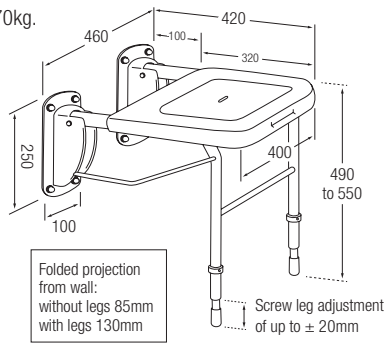
**Without Drop Down Legs**

SS	49800	49855	49556
----	-------	-------	-------

**With Drop Down Legs**

SS	49725	49730	49735
----	-------	-------	-------

- Stainless Steel frame with Aluminium backplates.
- Seats with drop down legs have adjustable height: 490-550mm (to top of seat) and additional feet adjustment of up to  $\pm 20$ mm.
- Load tested to a vertical drop weight of 170kg. This does not include customer fixings.
- Plastic seat, removable for easy cleaning.
- White seat as standard. Black and Blue RAL 5011 seats also available.
- Backplate bolt holes are drilled for M8 Bolts. (Fixings not supplied)



Stainless Steel

## Slotting Action Shower Seat



Mirror Polish



Sateen Polish



White

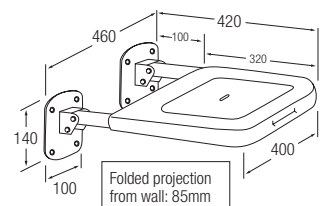


RAL Colour

**Without Drop Down Legs**

SS	49850	49851	49848	49849
----	-------	-------	-------	-------

- Stainless Steel frame and backplates.
- Load tested to a vertical drop weight of 170kg. This does not include customer fixings.
- Plastic seat, removable for easy cleaning.
- White seat as standard. Black and Blue RAL 5011 seats also available.
- Backplate bolt holes are drilled for M8 Bolts. (Fixings not supplied)



# Stainless Steel Shower Seats



Stainless Steel

## One Piece Backplate Shower Seat



White



Blue RAL 5011



RAL Colour



Mirror Polish

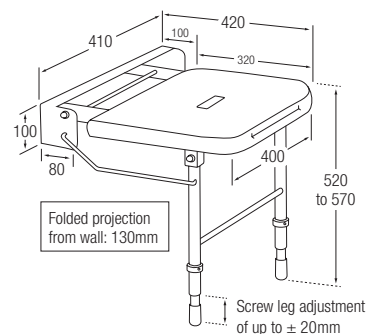


Sateen Polish

With Drop Down Legs

SS	49710	49711	49712	49715	49716
----	-------	-------	-------	-------	-------

- Seats with drop down legs have adjustable height: 520-570mm (to top of seat) and additional feet adjustment of up to  $\pm 20$ mm.
- Load tested to a vertical drop weight of 170kg. This does not include customer fixings.
- Plastic seat, removable for easy cleaning.
- White seat as standard. Black and Blue RAL 5011 seats also available.
- Backplate bolt holes are drilled for M8 Bolts. (Fixings not supplied)



Stainless Steel

## Compact Shower Seat

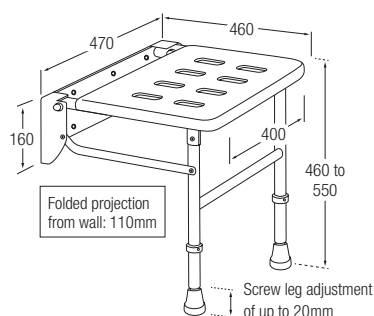


White

With Drop Down Legs

SS	49940
----	-------

- Adjustable height of 460-550mm (to top of seat) with feet adjustment of up to  $\pm 20$ mm
- Can be folded into the upright position.
- Maximum recommended load 190kg. This does not include customer fixings.
- Plastic seat, removable for easy cleaning.
- Backplate bolt holes are drilled for M8 Bolts. (Fixings not supplied)



# Stainless Steel Shower Seats



Stainless Steel

## Plastic Slatted Shower Seat



- Compact, lightweight shower seat for use where space is limited.
- Seats with drop down legs set to 500mm (to top of seat) with feet adjustment of up to 20mm.
- Strength tested to 150kg without Legs and 170kg with Drop Down Legs. This does not include customer fixings.
- Backplate bolt holes are drilled for M8 Bolts. (Fixings not supplied)



White



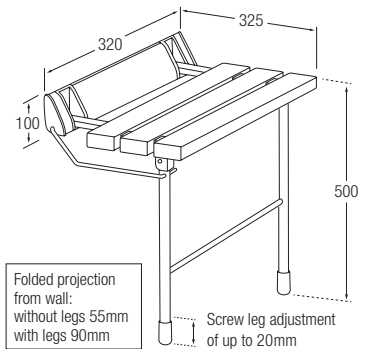
Blue RAL 5011

Without Drop Down Legs

SS	49900	49901
----	-------	-------

With Drop Down Legs

SS	49889	NA
----	-------	----



Stainless Steel

## One Piece Backplate Shower Seat



- Seats with drop down legs set to 480mm (to top of seat) with feet adjustment of up to 20mm.
- Strength tested to 150kg without legs and 170kg with drop down legs. This does not include customer fixings.
- Plastic seat, removable for easy cleaning.
- Backplate bolt holes are drilled for M8 Bolts. (Fixings not supplied)



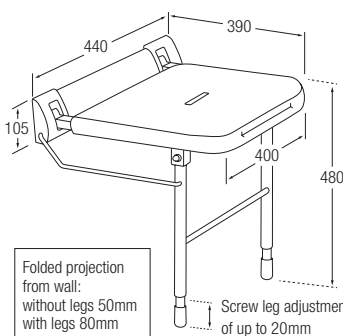
White

Without Drop Down Legs

SS	49781
----	-------

With Drop Down Legs

SS	49720
----	-------



# Towel Rails

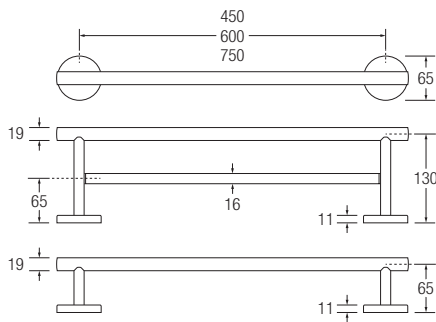


## 19mm Yardley Towel Rail



19mm Stainless Steel

- Stylish, low profile cover plates.
- Available in mirror polished and sateen polished finishes.
- Fixing holes to fit size 8 screws. (Fixings not supplied)



### Yardley Single Towel Rail

19mm	SS	450mm	60000MP	60000SP
19mm	SS	600mm	60001MP	60001SP
19mm	SS	750mm	60002MP	60002SP

### Yardley Double Towel Rail

19mm	SS	450mm	60010MP	60010SP
19mm	SS	600mm	60011MP	60011SP
19mm	SS	750mm	60012MP	60012SP

## 16mm Knowle Towel Rail



16mm Stainless Steel

- Stylish, low profile cover plates.
- Available in mirror polished and sateen polished finishes.
- Fixing holes to fit size 8 screws. (Fixings not supplied)

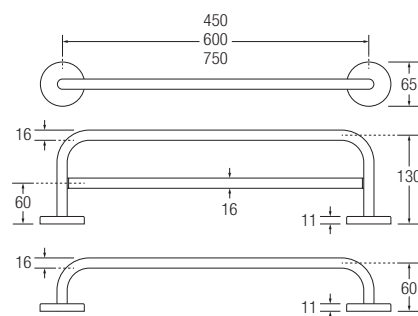


### Knowle Single Towel Rail

16mm	SS	450mm	60100MP	60100SP
16mm	SS	600mm	60101MP	60101SP
16mm	SS	750mm	60102MP	60102SP

### Knowle Double Towel Rail

16mm	SS	450mm	60110MP	60110SP
16mm	SS	600mm	60111MP	60111SP
16mm	SS	750mm	60112MP	60112SP



# Towel Rails

## 19mm Towel Rail

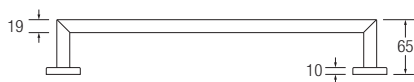
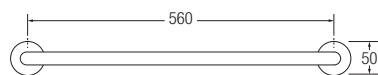
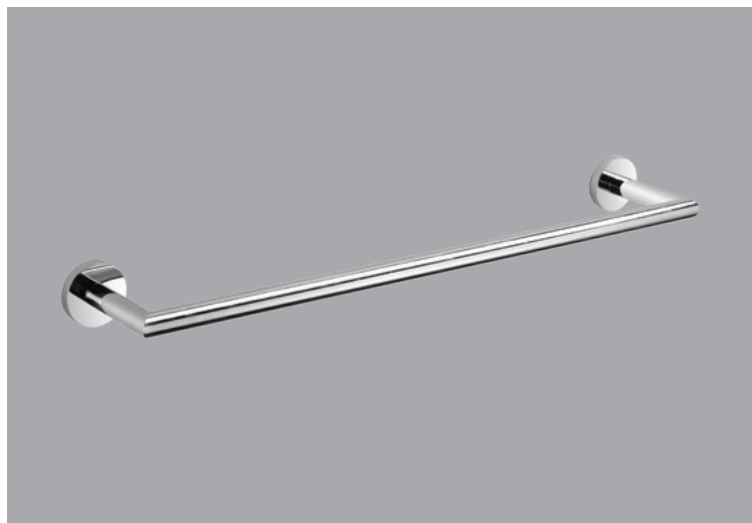
PRO

19mm CP Brass

- Available in Chrome Plate on Brass.
- Concealed Fix.
- Fixings not supplied.



19mm CP Brass 560mm 57800

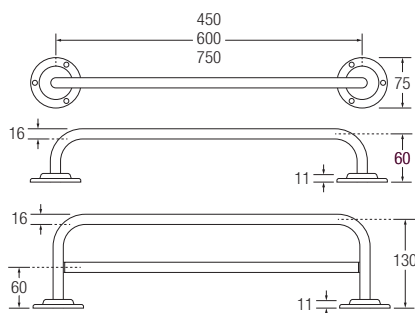
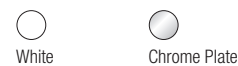


## 16mm Towel Rail

ESS

16mm Mild Steel

- Available in White Polyester and Chrome Plate.
- Bespoke towel rails can be manufactured to customer specification on request.
- Fixing holes to fit size 8 screws. (Fixings not supplied)



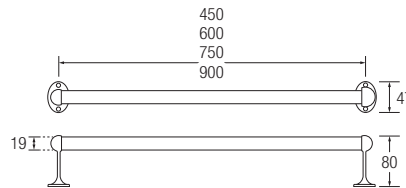
### Single Towel Rail

16mm	MS	450mm	58000	57400
16mm	MS	600mm	58100	57500
16mm	MS	750mm	58200	57600

### Double Towel Rail

16mm	MS	450mm	58900	58300
16mm	MS	600mm	59000	58400
16mm	MS	750mm	59100	58500

# Towel Rails



## 19mm Ball End Towel Rail



19mm Mild Steel

- Mild Steel tube with Zinc Die-cast brackets.
- Available in Chrome Plate.
- Ball centre brackets are an optional extra for longer rails. Turn to page 81 for details and prices.
- Fixing holes to fit size 8 screws. (Fixings not supplied)
- These rails can be polyester coated on request, please ask for details.

Chrome Plate

19mm	MS	450mm	55000
19mm	MS	600mm	55100
19mm	MS	750mm	55200
19mm	MS	900mm	55300

## 25mm Ball End Towel Rail

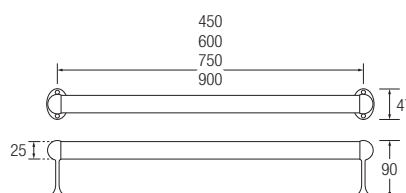
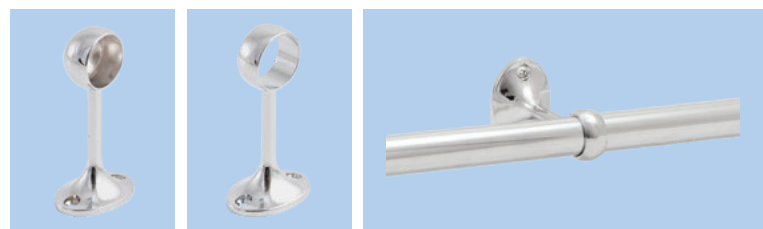
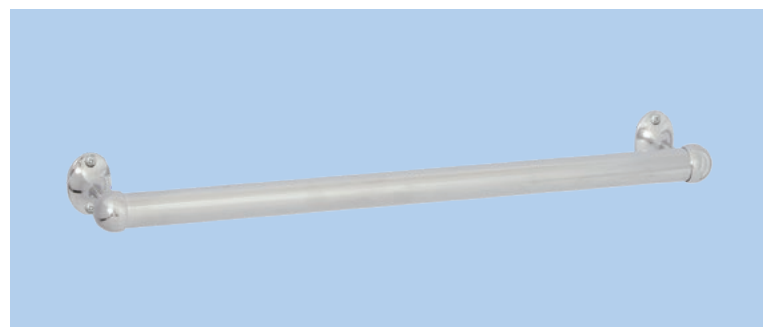


25mm Mild Steel

- Mild Steel tube with Zinc Die-cast brackets.
- Available in Chrome Plate.
- Ball centre brackets are an optional extra for longer rails. Turn to page 81 for details and prices.
- Fixing holes to fit size 8 screws. (Fixings not supplied)
- These rails can be polyester coated on request, please ask for details.

Chrome Plate

25mm	MS	450mm	56200
25mm	MS	600mm	56300
25mm	MS	750mm	56400
25mm	MS	900mm	56500



# Accessories - Distinction



Yardley Single Toilet Roll Holder



Mirror Polish	60200MP
Sateen Polish	60200SP
White Polyester	60200WH
RAL Colour	60200CO

- Matches the Yardley Grab Rail range.
- 25mm Stainless Steel.
- Elegant over sized end cap retains the toilet roll.



Yardley Double Toilet Roll Holder



Mirror Polish	60210MP
Sateen Polish	60210SP
White Polyester	60210WH
RAL Colour	60210CO

- Matches the Yardley Grab Rail range.
- 25mm Stainless Steel.
- Elegant over sized end caps retain the toilet rolls.



Knowle Single Toilet Roll Holder



Mirror Polish	60300MP
Sateen Polish	60300SP
White Polyester	60300WH
RAL Colour	60300CO

- Curved to match the Knowle Grab Rail range.
- 25mm Stainless Steel.
- Elegant over sized end cap retains the toilet roll.



Clothes Hook



Mirror Polish	60450MP
Sateen Polish	60450SP
White Polyester	60450WH
RAL Colour	60450CO

- Solid Stainless Steel stub.
- Matches both Yardley and Knowle Grab Rail ranges.



Towel Ring



Mirror Polish	60400MP
Sateen Polish	60400SP
White Polyester	60400WH
RAL Colour	60400CO

- Solid Stainless Steel stub.
- Matches both Yardley and Knowle Grab Rail ranges.
- We recommend the ring is mirror polished regardless of finish.



Glass Shelf



	457mm	600mm
Mirror Polish	60500MP	60510MP
Sateen Polish	60500SP	60510SP
White Polyester	60500WH	60510WH
RAL Colour	60500CO	60510CO

- 6mm Toughened glass.
- Solid Stainless Steel stubs.
- All fixings concealed.
- Matches both Yardley and Knowle Grab Rail ranges.

## Accessories - Professional



Hinged  
Toilet Roll Holder

PRO

Chrome Plate

53000

- Chrome Plated Brass / Stainless Steel.
- Concealed fixing.
- (W) 140mm x (H) 95mm.
- Fixings not supplied.



Clothes Hook

PRO

Single Robe Hook

53400

- Chrome Plated Brass.
- 50mm diameter wall plate.
- Projects 70mm from wall.
- Fixings not supplied.



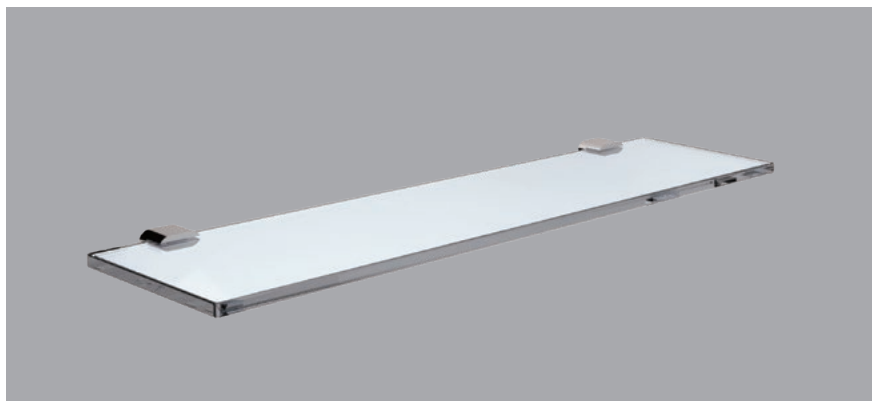
Towel Ring

PRO

Chrome Plate

61350

- Chrome Plated Brass / Stainless Steel.
- 157mm diameter towel ring.
- Projects 40mm from wall.
- Fixings not supplied.



Glass Shelf

PRO

Standard Glass

600mm x 130mm

52850

- (W) 600 x (D) 130mm.
- Chrome Plated Brass brackets.
- 7.3mm Toughened glass.
- Fixings not supplied.

# Accessories - Essential



Medium Toilet Roll Holder

ESS

Chrome Plate	50100
White Polyester	50400

- Zinc Die-cast with black plastic roller.
- (W) 136mm x (D) 76mm.
- Screw size 8. (Fixings not supplied)
- Replacement insert available.



Heavy Toilet Roll Holder

ESS

Chrome Plate	50500
White Polyester	50800

- Zinc Die-cast with black plastic roller.
- (W) 145mm x (D) 78mm.
- Screw size 8. (Fixings not supplied)
- Replacement insert available.



Locking Toilet Roll Holder

ESS

Chrome Plate	50900
--------------	-------

- Zinc Die-cast with wooden roller.
- Allen key supplied.
- (W) 145mm x (D) 78mm.
- Screw size 8. (Fixings not supplied)
- Replacement insert available.



Wire Toilet Roll Holder

ESS

Chrome Plate	51220
--------------	-------

- (W) 136mm x (H) 83mm.
- Screw size 8. (Fixings not supplied)



Aluminium Toilet Roll Holder

ESS

Chrome Plate	51210
--------------	-------

- Brushed Aluminium with black plastic roller.
- 5mm screw holes. (Fixings not supplied)
- (W) 136mm x (D) 83mm.
- Replacement insert available.



Towel Ring

ESS

Chrome Plate	61300
White Polyester	61500

- Mild Steel.
- 150mm diameter towel ring.
- Screw size 8. (Fixings not supplied)

# Accessories - Essential



## Aluminium Clothes Hooks



Single Robe Hook	52910
Hat & Coat Hook	53210

- Brushed Aluminium.
- Single Robe Hook (H) 42mm x (W) 20mm.
- Hat & Coat Hook (H) 135 x (W) 20mm.
- Screw size 8. (Fixings not supplied)



## Clothes Hooks



Single Robe Hook	52900
Double Robe Hook	53500

- Zinc Die-cast.
- Single Robe Hook (H) 40mm,
- Double Robe Hook (H) 55mm.
- Screw size 8. (Fixings not supplied)

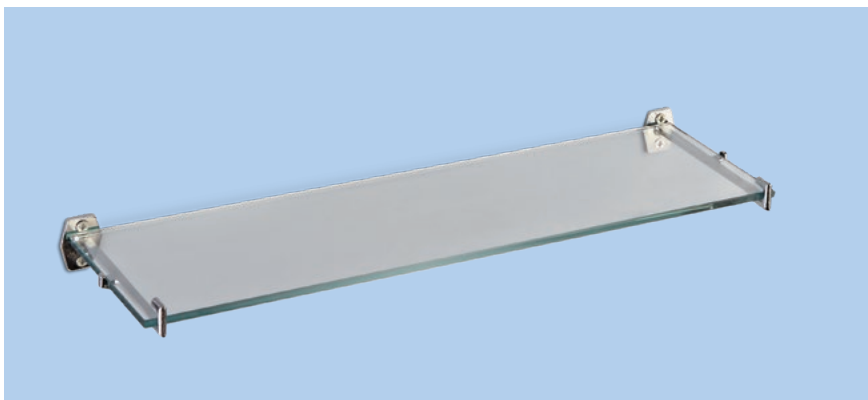


## Clothes Hook



Hat & Coat Hook	53200
-----------------	-------

- Zinc Die-cast.
- Hat & Coat Hook (H) 70mm.
- Screw size 8. (Fixings not supplied)



## Glass Shelf



Standard Glass	
457mm x 127mm	52800
600mm x 127mm	52805
Toughened Glass	
457mm x 127mm	52810
600mm x 127mm	52820
Shelf Brackets	
Chrome Plate	52600
White Polyester	52700

- Zinc Die-cast brackets priced per pair.
- Glass 6mm thick.
- Screw size 8. (Fixings not supplied)

# Components



Tube - Mild Steel and Stainless Steel

**19mm Mild Steel**

Chrome Plate	68600
White Polyester	68620

**25mm Mild Steel**

Chrome Plate	68640
White Polyester	68660

**35mm Mild Steel**

Chrome Plate	68680
White Polyester	68690

**25mm Stainless Steel**

White Polyester	68710
Mirror Polished	68700
Sateen Polished	68709

**35mm Stainless Steel**

White Polyester	68730
Mirror Polished	68720
Sateen Polished	68725

■ Priced per metre.



Brass Flange

**25mm**

Chrome Plate	79400
White Polyester	79500

■ Priced per pair.



Brass Flange with Grub Screw

**25mm**

Chrome Plate	79410
White Polyester	79510

■ Priced per pair.



Ball End Brackets

**19mm**

Chrome Plate	62800
White Polyester	63000

**25mm**

Chrome Plate	63100
--------------	-------

- Zinc Die-cast.
- Priced per pair.



Ball Centre Brackets

**19mm**

Chrome Plate	63700
White Polyester	63900

**25mm**

Chrome Plate	64000
--------------	-------

- Zinc Die-cast.
- Priced each.



Rod Socket

**19mm**

Chrome Plate	61900
--------------	-------

**25mm**

Chrome Plate	62200
--------------	-------

- Pressed Mild Steel.
- Priced per pair.



V Shape Bracket

**19mm**

Chrome Plate	64300
--------------	-------

**25mm**

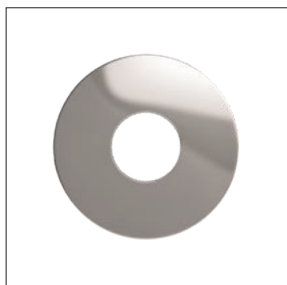
Chrome Plate	64500
--------------	-------

Please note all measurements used are for easy reference. Tube measurements refer to tube diameter: 19mm (19.0mm), 25mm (25.4mm), 35mm (35.0mm)  
Flange and Bracket measurements refer to hole diameter: 19mm (19.0mm) 25mm (25.4mm), 35mm (35.0mm)

# Components

## Distinction Cover Plates

DST

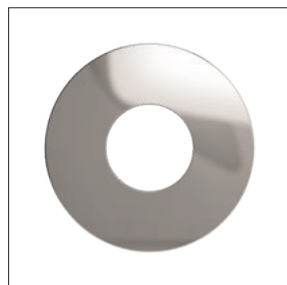


25mm Cover Plate  
Stainless Steel

Cover Plate - 25mm Stainless Steel	
Mirror Polished	60915MP
Sateen Polished	60915SP
White Polyester	60915WH
Colour Polyester	60915CO

Flange - 25mm Stainless Steel	
Polished/Sateen (Plain)	60910
White Polyester	60910WH
Colour Polyester	60910CO

■ Priced per pair.



35mm Cover Plate  
Stainless Steel

Cover Plate - 35mm Stainless Steel	
Mirror Polished	60905MP
Sateen Polished	60905SP
White Polyester	60905WH
Colour Polyester	60905CO

Flange - 35mm Stainless Steel	
Polished/Sateen (Plain)	60900
White Polyester	60900WH
Colour Polyester	60900CO

■ Priced per pair.

## Professional Cover Plates

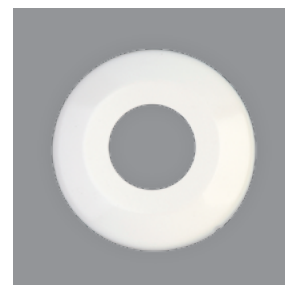
PRO



25mm Cover Plate  
Stainless Steel

25mm	
White Polyester	79060

- Pressed Stainless Steel.
- Priced per pair.



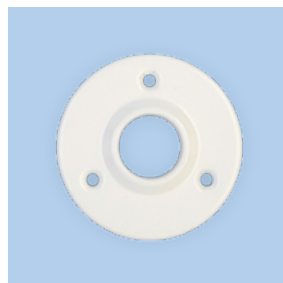
35mm Cover Plate  
Stainless Steel

35mm	
White Polyester	79065

- Pressed Stainless Steel.
- Priced per pair.

## Essential Flanges

ESS



25mm Flange  
Stainless Steel

25mm Stainless Steel	
White Polyester	79095
Mirror Polished	79090
Sateen Polished	79091

### Mild Steel

25mm Mild Steel	
Chrome Plate	78500
White Polyester	78600

- Priced per pair.



35mm Flange  
Stainless Steel

35mm Stainless Steel	
White Polyester	79150
Mirror Polished	79100
Sateen Polished	79110

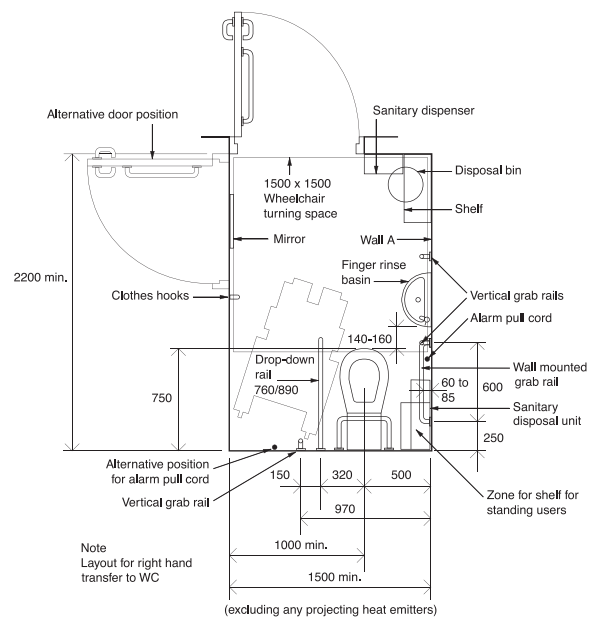
### Mild Steel

35mm Mild Steel	
Chrome Plate	78900
White Polyester	79000

- Priced per pair.

Please note all measurements used are for easy reference. Tube measurements refer to tube diameter: 19mm (19.0mm), 25mm (25.4mm), 35mm (35.0mm)  
Flange and Bracket measurements refer to hole diameter: 19mm (19.0mm)  
25mm (25.4mm), 35mm (35.0mm)

Document M Pack  
 Corner WC Scenario



Drawing is for guidance only - please revert to relevant building regulations

## Corner WC Doc M Packs - Close Couple



### with 760mm Hinged Support Rail

		Aluminium Backplate			Stainless Steel Backplate	
MS	3 Rail Pack	83300	83301	83302	NA	NA
MS	4 Rail Pack	83304	83305	83306	NA	NA
MS	5 Rail Pack	83307	83308	83309	NA	NA
SS	3 Rail Pack	83320	83321	83322	83323	83324
SS	4 Rail Pack	83330	83331	83332	83333	83334
SS	5 Rail Pack	83340	83341	83342	83343	83344

## Corner WC Doc M Packs - Low Level



### with 760mm Hinged Support Rail

		Aluminium Backplate			Stainless Steel Backplate	
MS	3 Rail Pack	80000	80001	80200	NA	NA
MS	4 Rail Pack	83000	83001	83010	NA	NA
MS	5 Rail Pack	83145	83150	83155	NA	NA
SS	3 Rail Pack	81000	81002	81005	82000	82010
SS	4 Rail Pack	83100	83105	83110	83120	83130
SS	5 Rail Pack	83133	83135	83140	83132	83131

### with 890mm Hinged Support Rail

		Aluminium Backplate			Stainless Steel Backplate	
MS	4 Rail Pack	83500	83515	83510	NA	NA
SS	4 Rail Pack	83520	83525	83530	83540	83550

- Bespoke Doc M Packs can be made to your specification using codes listed within this catalogue.
- Backrest cushions are not supplied as part of the pack and must be ordered separately. Turn to page 64.
- Fixing holes to fit size 8 screws and M8 bolts. (Fixings not supplied)

## Pack Contents

### Close Couple 760mm Pack includes:

- 1x 760mm Double Arm
- 3x, 4x or 5x Grab Rails 600mm x 35mm

## Pack Contents

### Low Level 760mm Pack includes:

- 1x 760mm Double Arm
- 1x Backrest 240 x 400 x 240mm
- 3x, 4x or 5x. Grab Rails 600mm x 35mm

### Low Level 890mm Pack includes:

- 1x 890mm Double Arm
- 1x Backrest 240 x 400 x 240mm
- 4x Grab Rails 600mm x 35mm

## + Toilet Roll Holder

Double Arm Hinged Rails can be manufactured with an integrated toilet roll holder. Must be requested when ordering.

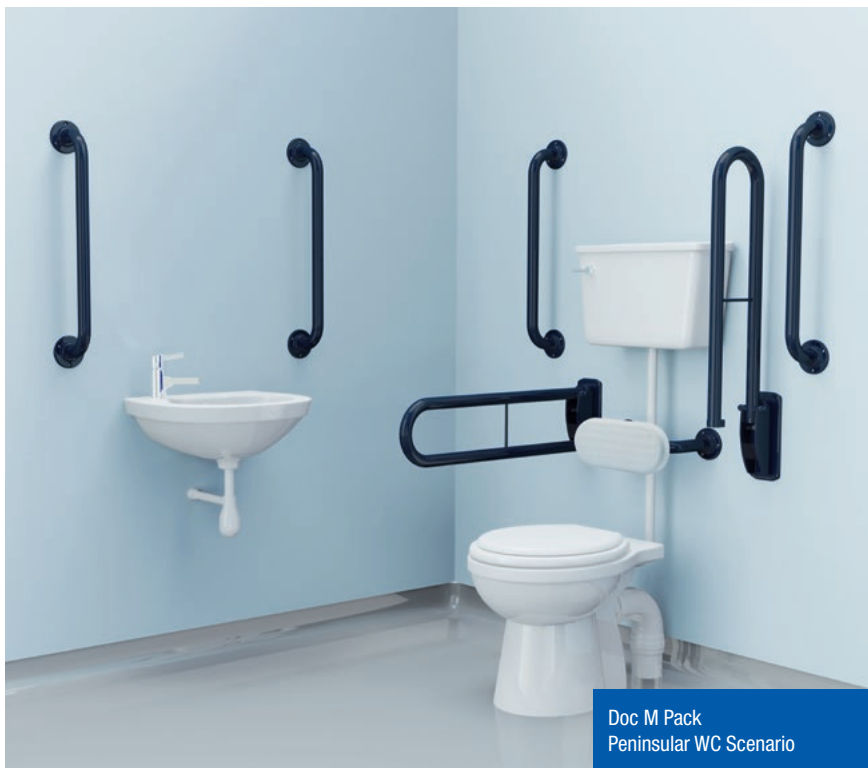
## + Extras

A selection of recommended accessories to complement the Document M Packs.

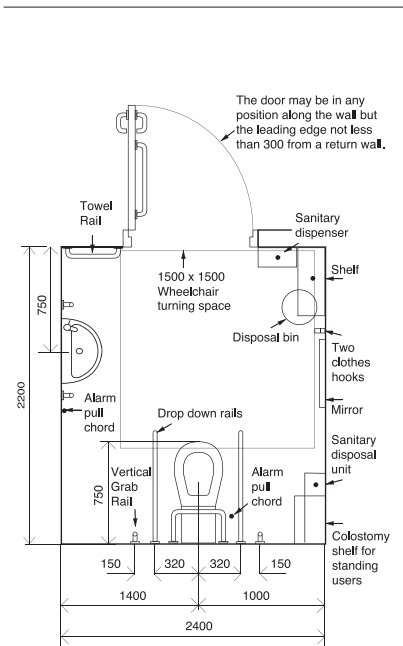
Towel Rails	Turn to page 74
Clothes Hooks	Turn to page 79
Toilet Roll Holders	Turn to page 78

Document M Pack

# Unisex Accessible Peninsular WC Scenario



Doc M Pack  
Peninsular WC Scenario



Drawing is for guidance only - please revert to relevant building regulations

## Unisex Accessible Peninsular WC Scenario

- White
- Blue - RAL 5011
- RAL Colour
- Mirror Polish
- Sateen Polish

with 890mm Hinged Support Rail

		Aluminium Backplate			Stainless Steel Backplate	
MS	4 Rail Pack	83200	83205	83210	NA	NA
SS	4 Rail Pack	83220	83225	83230	83241	83250

- Bespoke Doc M Packs can be made to your specification using codes listed within this catalogue.
- Backrest cushions are not supplied as part of the pack and must be ordered separately. Turn to page 64.
- Fixing holes to fit size 8 screws and M8 bolts. (Fixings not supplied)

## Pack Contents

### Peninsular Scenario 4 Rail Pack includes:

- 2x 890mm Double Arms
- 1x Backrest 240 x 400 x 240mm
- 4x Grab Rails 600mm x 35mm

### + Toilet Roll Holder

Double Arm Hinged Rails can be manufactured with an integrated toilet roll holder. Must be requested when ordering.

### + Extras

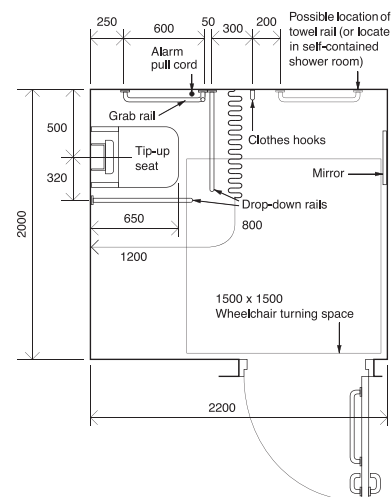
A selection of recommended accessories to complement the Document M Packs.

Towel Rails	Turn to page 74
Clothes Hooks	Turn to page 79
Toilet Roll Holders	Turn to page 78

## Document M Pack Shower Scenario



Doc M Pack  
Shower Scenario



Drawing is for guidance only -  
please revert to relevant building regulations

## Shower Scenario



with 760mm Hinged Support Rail and 650mm Projection Shower Seat

Aluminium Backplate

Stainless Steel Backplate

SS	2 Rail Pack	White	Blue - RAL 5011	RAL Colour	Mirror Polish	Sateen Polish
		83410	83415	83420	83408	83409

- Stainless Steel for use in wet or damp areas.
- Bespoke Doc M Packs can be made to your specification using codes listed within this catalogue.
- Mirror Polished and Sateen Polished shower seats and hinged rails are made with stainless steel backplates, white and coloured finishes are made with Aluminium backplates.
- Fixing holes to fit size 8 screws and M8 bolts. (Fixings not supplied)

### + Curtain Rails and Accessories

A selection of recommended accessories to complement the Document M Packs.

Curtain Rails	Turn to page 66
Ceiling Stay	Turn to page 66
Curtains	Turn to page 67
Curtain Hooks	Turn to page 67

## Pack Contents

### Shower Scenario 2 Rail Pack includes:

- 2x 760mm Double Arms
- 1x Backrest 150 x 400 x 150mm
- 1x Foam Cushion
- 1x Shower Seat (650mm Projection)
- 2x Grab Rails 600mm x 35mm

### + Extras

A selection of recommended accessories to complement the Document M Packs.

Towel Rails	Turn to page 74
Clothes Hooks	Turn to page 79
Toilet Roll Holders	Turn to page 78

Document M Pack

# Compartment WC Scenario



Doc M Pack  
Compartment WC Scenario

We recommend items for this scenario be selected separately. Please find our suggested range below.

## + Grab Rails

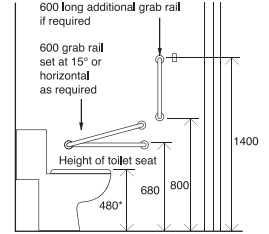
4x 35mm x 600mm Grab Rails are recommended, including a rail for the cubicle door.

Turn to page 50

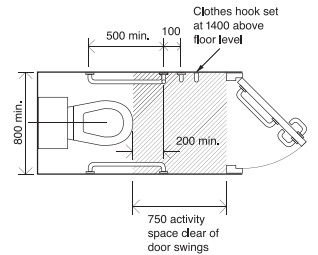
## + Hooks

A clothes hook fixed to the cubicle door.

Turn to page 79



\*Height subject to manufacturing tolerance of WC pan



Drawing is for guidance only - please revert to relevant building regulations

# Bath Scenario



Doc M Pack  
Bath Scenario

We recommend items for this scenario be selected separately.

Stainless Steel is recommended for use in wet or damp areas. Mild Steel for use in dry areas.

## + Bath Rail

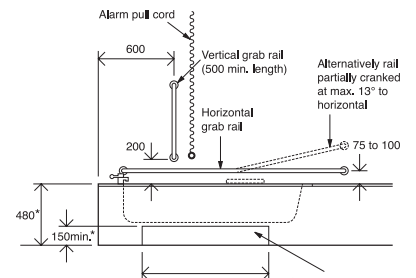
1x 35mm x 1750mm Bath Rail is recommended, straight or cranked. Bath Rail length is determined by the size of the bath and can be made to customer specifications.

Turn to page 55

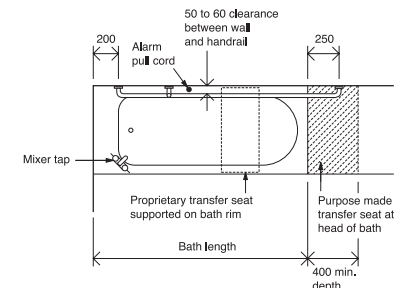
## + Grab Rail

1x 35mm x 600mm Grab Rail is recommended (500mm minimum).

Turn to page 50



\* To meet both these criteria, a shallower than normal bath may be needed



Drawing is for guidance only - please revert to relevant building regulations